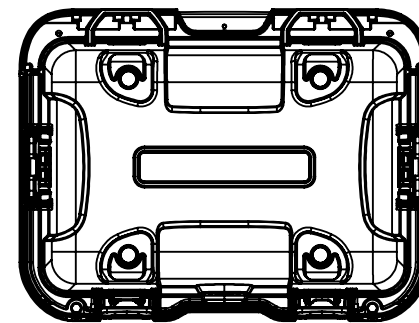
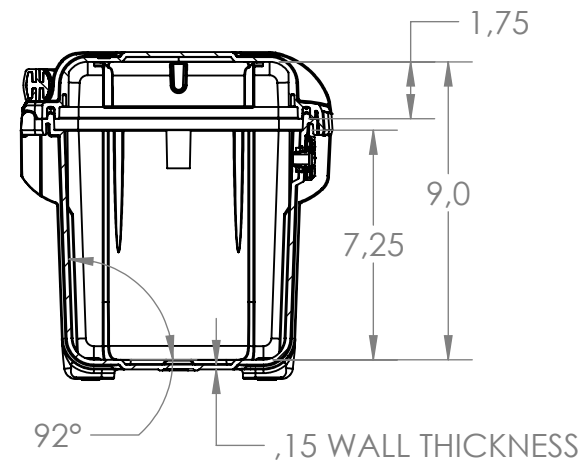
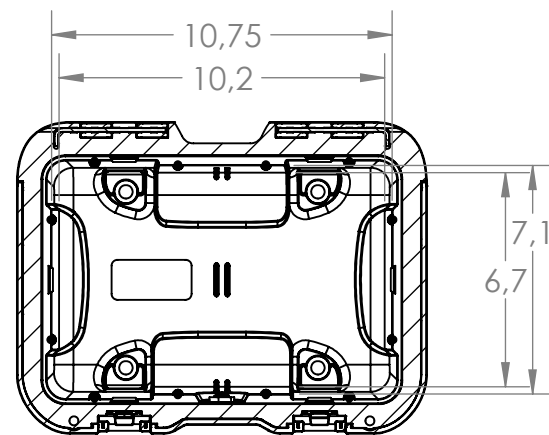
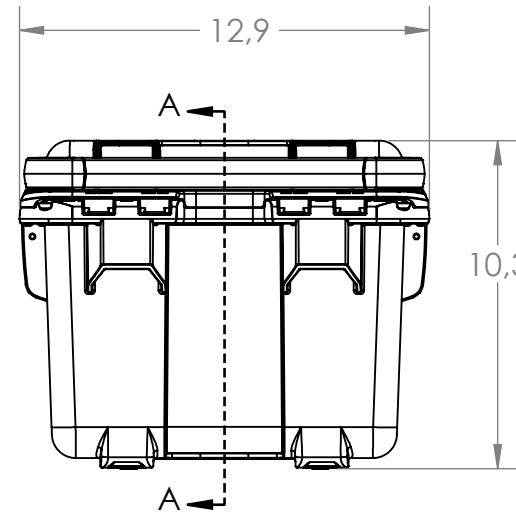
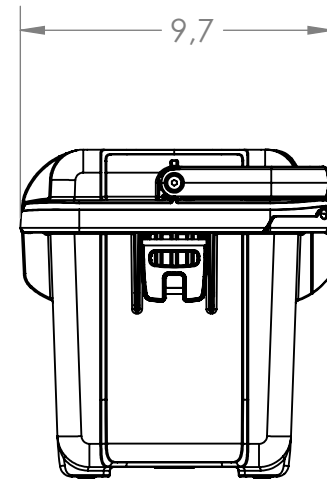
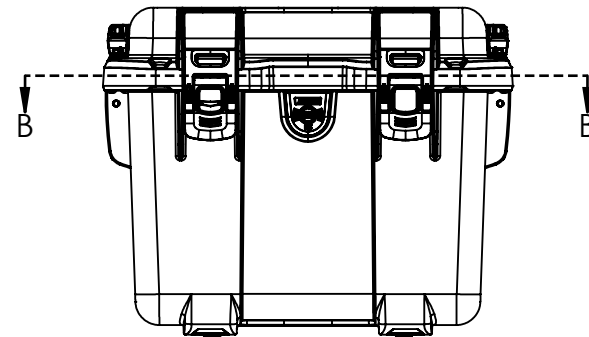
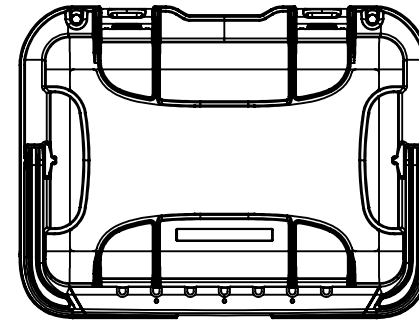


THE INFORMATION CONTAINED IN THIS DRAWING IS THE SOLE PROPERTY OF PLASTICASE ANY REPRODUCTION IN PART OR WHOLE WITHOUT THE WRITTEN PERMISSION OF PLASTICASE IS PROHIBITED.

REVISIONS			
REV.	DESCRIPTION	DATE	APPROVED



NANUK T20 Specifications	
Case Weight Empty	3.75lbs / 1.7kg
Interior Length	10.75" / 273 mm
Interior Width	7.1" / 180 mm
Interior Height	9" / 228mm
Interior Lid Depth	1.75" / 44 mm
Interior Base Depth	7.25" / 184 mm
Exterior Length	12.9" / 328 mm
Exterior Width	9.7" / 246 mm
Exterior Height	10.3" / 262 mm
Master Pack Qty.	TBD
Master Pack Wt.	TBD
Max Buoyancy	34.8lbs / 15.8kg

SECTION B-B

SECTION A-A

PARTS LIST			
UNLESS OTHERWISE SPECIFIED DIMENSIONS ARE IN INCHES [mm]	CAD GENERATED DRAWING, DO NOT MANUALLY UPDATE		NANUK GEAR PROTECTION
	APPROVALS	DATE	
	DRAWN D.B.	2024-08-06	
	CHECKED		
	RESP ENG		
MATERIAL			NANUK T20
FINISH --	MFG ENG		
DO NOT SCALE DRAWING	QUAL ENG		
SCALE 1:6		CAD FILE: T20_Main Assy_p.00	SHEET 1 OF 1