

NANUK

1059, boul. des Entreprises Ouest
Terrebonne, QC Canada J6Y 1V2
Tel 450-628-1006 1.800.783.6883
nanuk.com

XXXXXXX

CLIENT NAME

INSERT

PROJECT

960_NANUK

PRODUCT

1-960-F0XXX_CV_a.00

DWG ID

STATUS

YOUR SIGNATURE IS REQUIRED FOR APPROVAL BEFORE ANY RELEASE OF PRODUCTION DRAWINGS

SIGNATURE

DATE

TOLERANCES

CUTOUTS +/- 1/16

OVERALL FOAM THICKNESS & CAVITY DEPTHS +/- 1/8

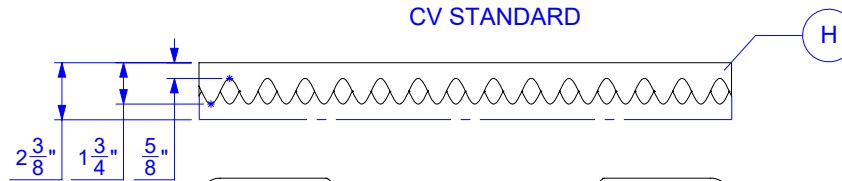
GLUED TO CASE TOP BASE VELCRO EXTRA

REVISIONS

REV.	DESCRIPTION	DATE	INIT

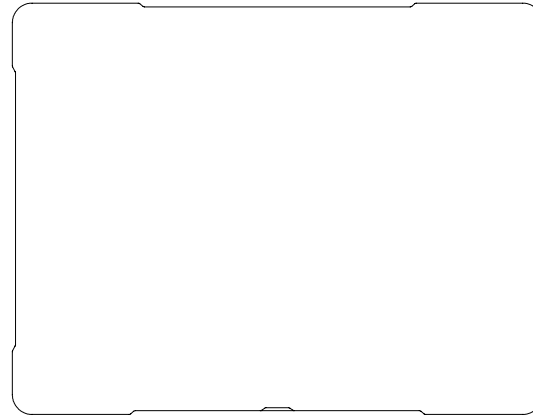
LID - ELEVATION

1-9603/1-960-F0XXX-B



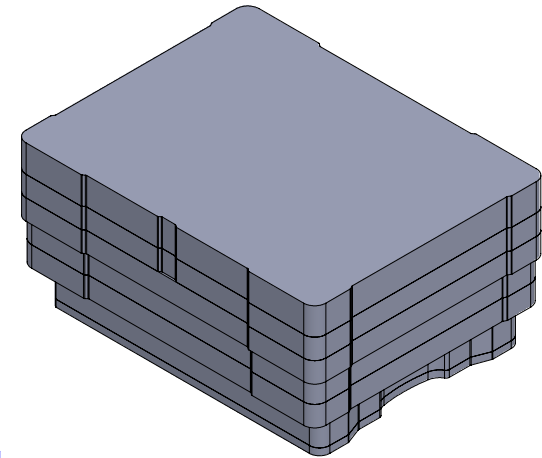
BASE TRAY

1-960-F0XXX-B

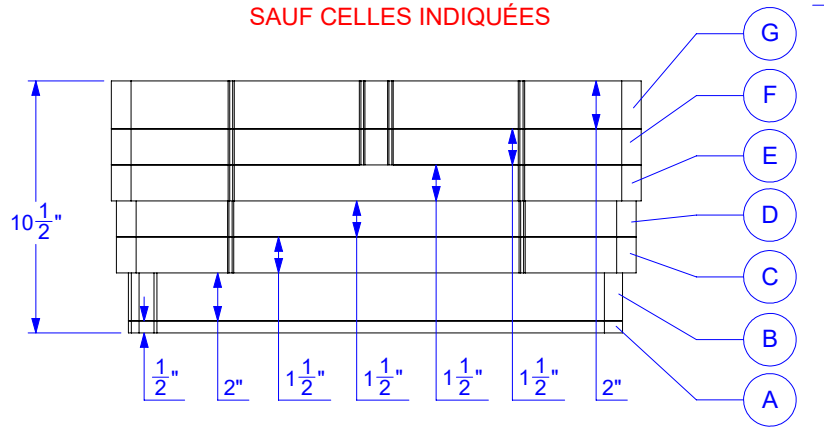


CAVITIES ARE ----"
UNLESS OTHERWISE INDICATED

TOUTES LES CAVITÉES ONT ---"
SAUF CELLES INDIQUÉES



BASE TRAY - ELEVATION



FOAM DENSITY MAY VARY
DIMENSIONS ARE IN INCHES UNLESS OTHERWISE SPECIFIED

PROPRIETARY AND CONFIDENTIAL

THE INFORMATION CONTAINED IN THIS DRAWING IS THE SOLE & EXCLUSIVE PROPERTY OF NANUK GEAR PROTECTION INC.
ANY REPRODUCTION IN PART OR WHOLE WITHOUT THE WRITTEN PERMISSION OF NANUK GEAR PROTECTION INC. IS PROHIBITED.

DO NOT SCALE DRAWING
SHEET SCALE 1:8

Dionysios Egarhos
REPRESENTATIVE

Karen Dupuis
DESIGNER

2024-06-03
DATE

1/11

YOUR SIGNATURE IS REQUIRED FOR APPROVAL BEFORE ANY RELEASE OF PRODUCTION DRAWINGS

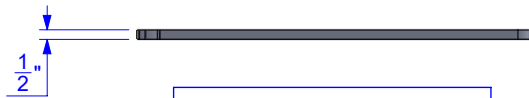
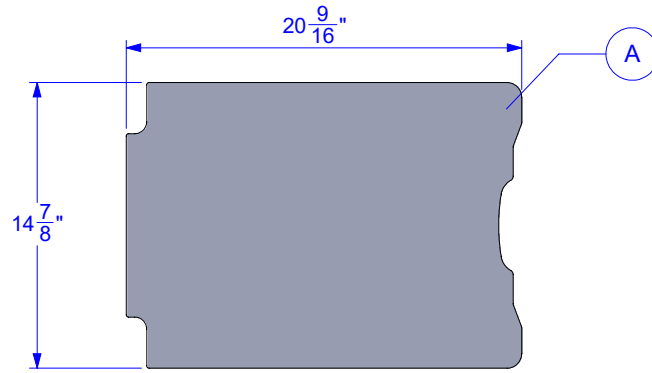
SIGNATURE

DATE

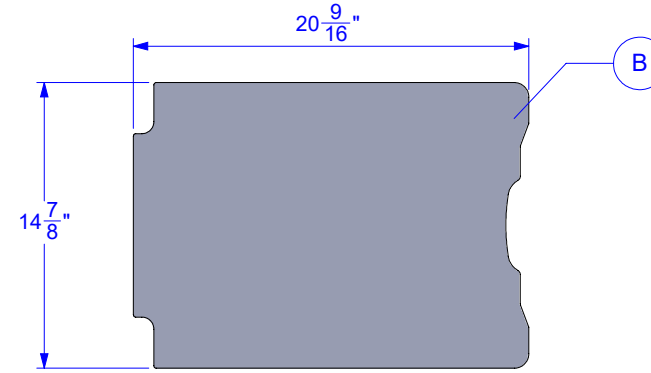
TOLERANCES

CUTOUTS +/- 1/16

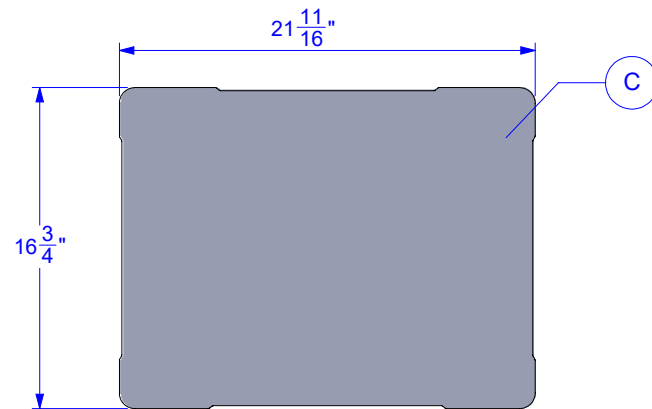
OVERALL FOAM THICKNESS & CAVITY DEPTHS +/- 1/8



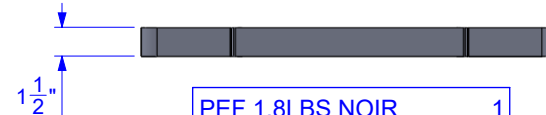
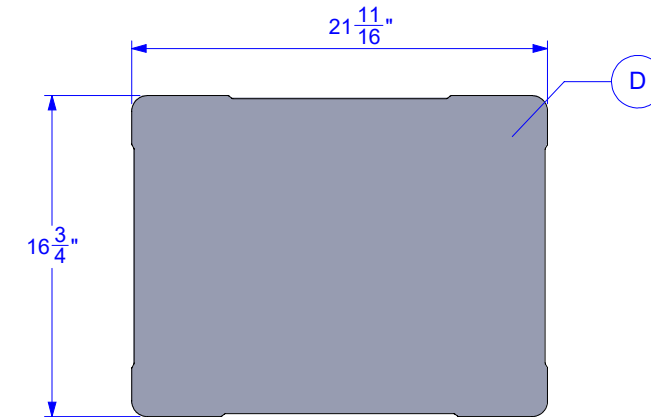
PEF 1.8LBS NOIR MATERIAL QTY 1



PEF 1.8LBS NOIR MATERIAL QTY 1



PEF 1.8LBS NOIR MATERIAL QTY 1



PEF 1.8LBS NOIR MATERIAL QTY 1

FOAM DENSITY MAY VARY. DIMENSIONS ARE IN INCHES UNLESS OTHERWISE SPECIFIED

YOUR SIGNATURE IS REQUIRED FOR APPROVAL BEFORE ANY RELEASE OF PRODUCTION DRAWINGS

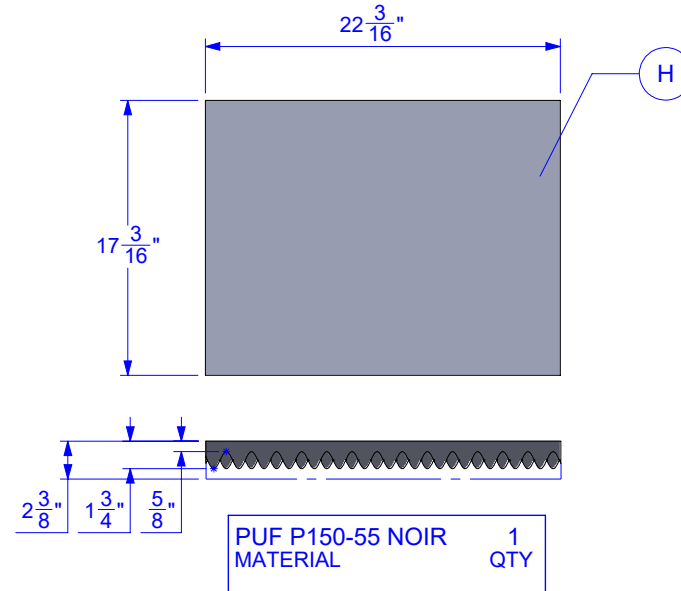
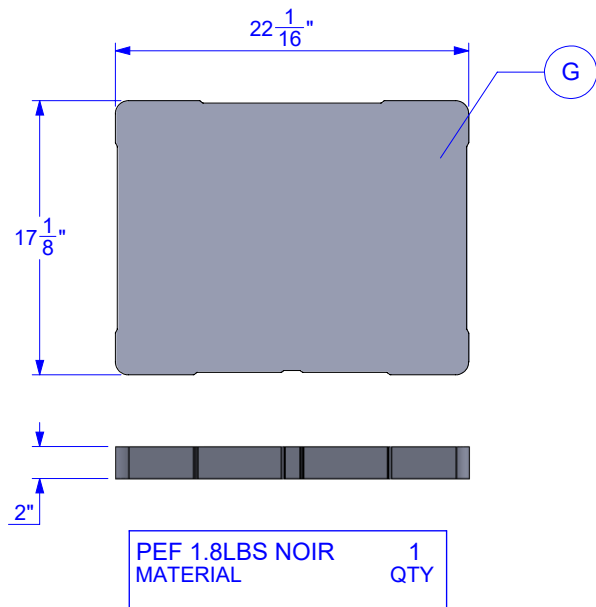
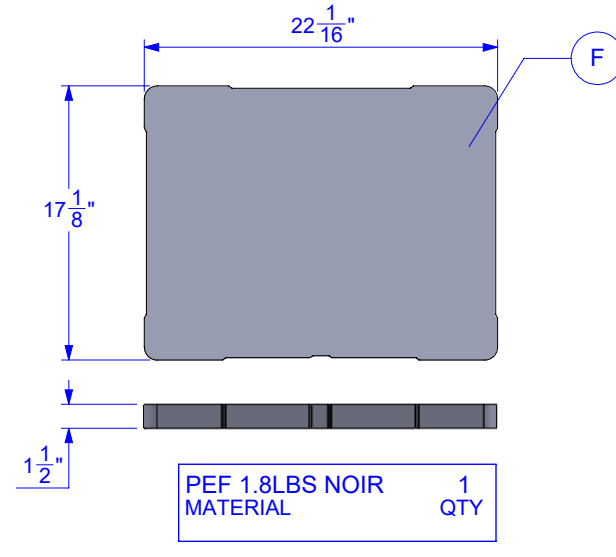
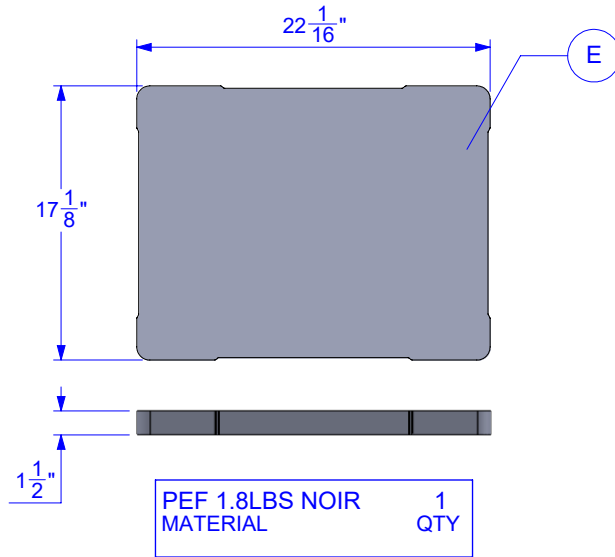
TOLERANCES

CUTOUTS +/- 1/16

OVERALL FOAM THICKNESS & CAVITY DEPTHS +/- 1/8

SIGNATURE

DATE



FOAM DENSITY MAY VARY. DIMENSIONS ARE IN INCHES UNLESS OTHERWISE SPECIFIED

NANUK

1059, boul. des Entreprises Ouest
Terrebonne, QC Canada J6Y 1V2
Tel 450-628-1006 1.800.783.6883
nanuk.com

INSERT

PROJECT

960_NANUK

PRODUCT

1-960-F0XXX_CV_a.00

DWG ID

STATUS

YOUR SIGNATURE IS REQUIRED FOR APPROVAL BEFORE ANY RELEASE OF PRODUCTION DRAWINGS

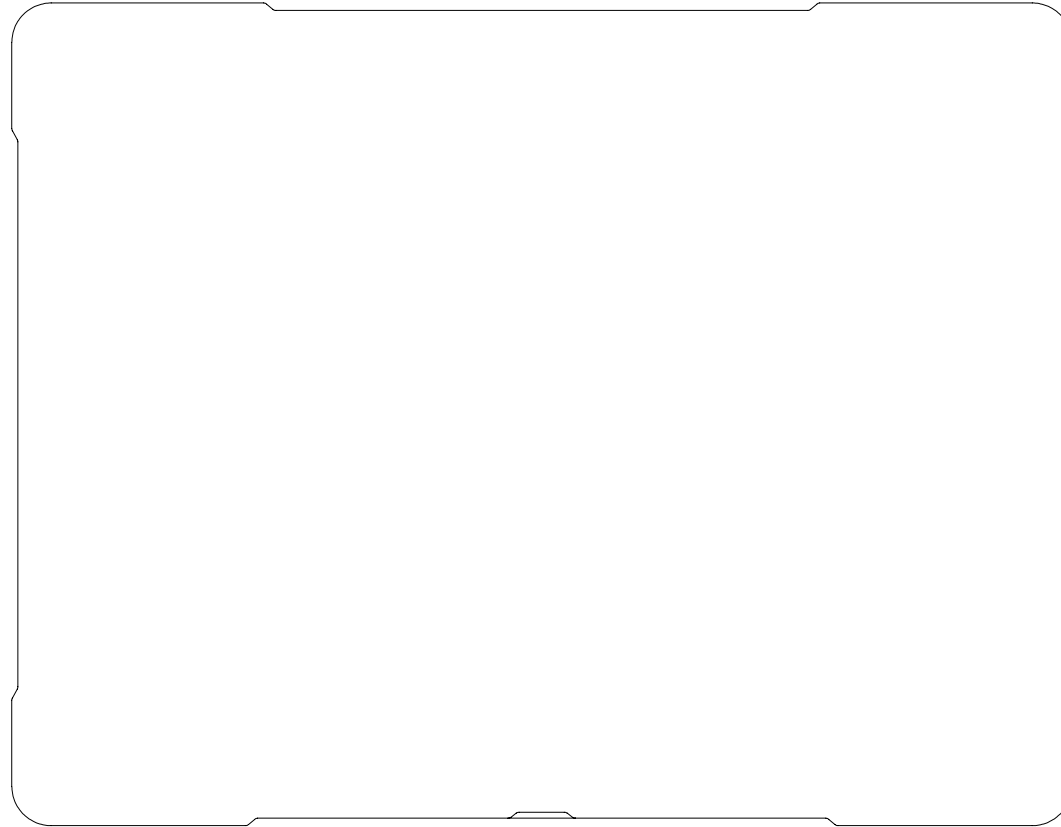
TOLERANCES

CUTOUTS +/- 1/16

OVERALL FOAM THICKNESS & CAVITY DEPTHS +/- 1/8

SIGNATURE

DATE



FOAM DENSITY MAY VARY
DIMENSIONS ARE IN INCHES UNLESS OTHERWISE SPECIFIED

PROPRIETARY AND CONFIDENTIAL

THE INFORMATION CONTAINED IN THIS DRAWING IS THE SOLE & EXCLUSIVE PROPERTY OF NANUK GEAR PROTECTION INC.
ANY REPRODUCTION IN PART OR WHOLE WITHOUT THE WRITTEN PERMISSION OF NANUK GEAR PROTECTION INC. IS PROHIBITED.

DO NOT SCALE DRAWING
SHEET SCALE 1:4

Dionysios Egarhos
REPRESENTATIVE

Karen Dupuis
DESIGNER

2024-06-03
DATE

4/11