



1059, boulevard des Entreprises Ouest
 Terrebonne, QC Canada J6Y 1V2
 Tel 450-628-1006 1.800.783.6883
 Fax 450-628-7801 1.888.783.6883
 www.plasticase.com

INSERT

PROJECT

996_NANUK

PRODUCT

996_NANUK FULL FOAM

DWG ID

STATUS

YOUR SIGNATURE IS REQUIRED FOR APPROVAL BEFORE ANY RELEASE OF PRODUCTION DRAWINGS

SIGNATURE

DATE

TOLERANCES

CUTOUTS +/- 1/16

OVERALL FOAM THICKNESS & CAVITY DEPTHS +/- 1/8

GLUED TO CASE TOP BASE VELCRO EXTRA

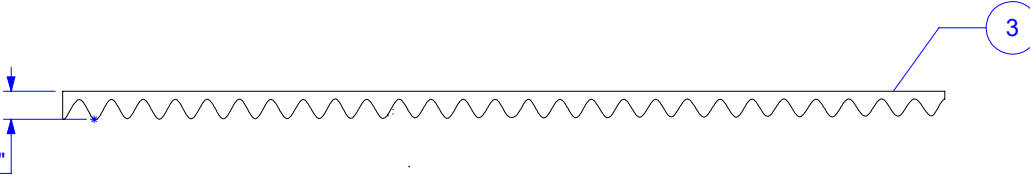
REVISIONS

REV.	DESCRIPTION	DATE	INIT.
α.03	GENERAL MODIFICATION	2023-02-28	WV
α.04	GENERAL MODIFICATION	2023-04-06	WV

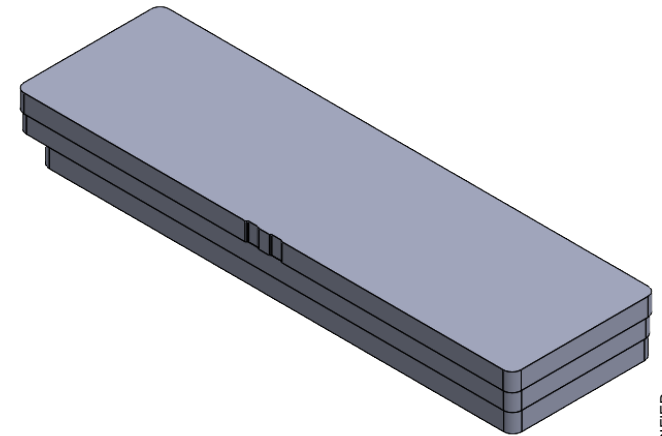
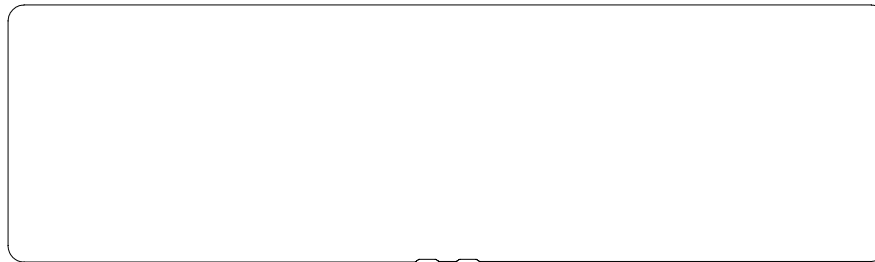
LID TRAY - ELEVATION

CV STANDARD
1-99603

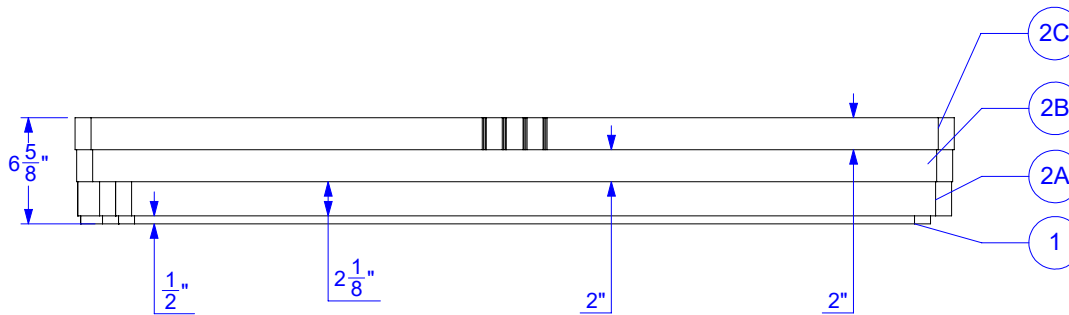
1 5/8"



BASE TRAY



BASE TRAY - ELEVATION



FOAM DENSITY MAY VARY
DIMENSIONS ARE IN INCHES UNLESS OTHERWISE SPECIFIED

PROPRIETARY AND CONFIDENTIAL

THE INFORMATION CONTAINED IN THIS DRAWING IS THE SOLE & EXCLUSIVE PROPERTY OF PLASTICASE INC.
 ANY REPRODUCTION IN PART OR WHOLE WITHOUT THE WRITTEN PERMISSION OF PLASTICASE INC. IS PROHIBITED.

DO NOT SCALE DRAWING
SHEET SCALE 1:10

REPRESENTATIVE

David Vidal
DESIGNER

2023-04-28
DATE

1/7

YOUR SIGNATURE IS REQUIRED FOR APPROVAL BEFORE ANY RELEASE OF PRODUCTION DRAWINGS

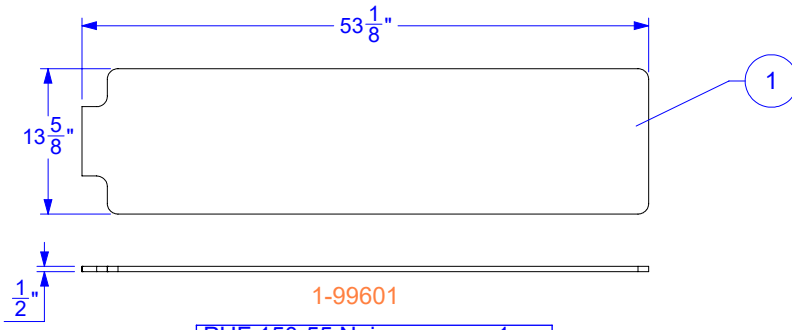
SIGNATURE

DATE

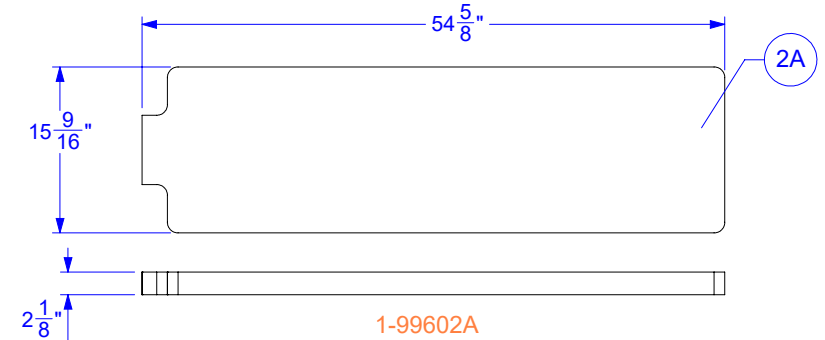
TOLERANCES

CUTOUTS +/- 1/16

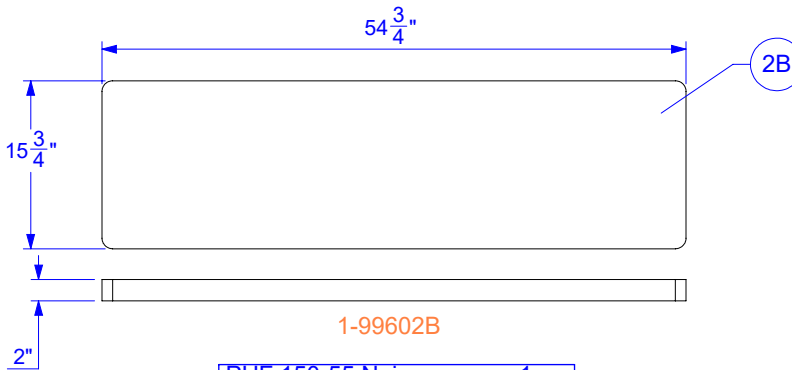
OVERALL FOAM THICKNESS & CAVITY DEPTHS +/- 1/8



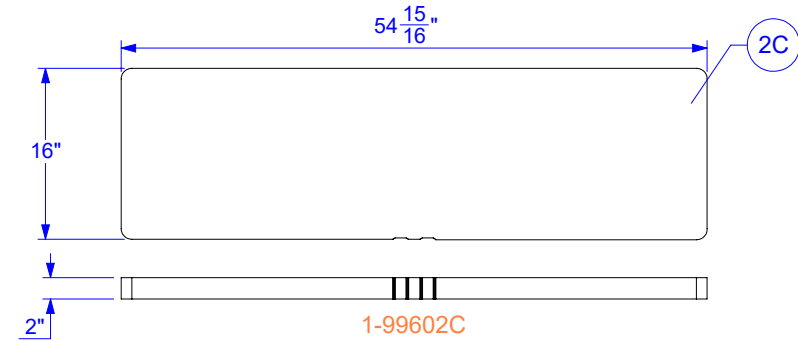
1-99601
PUF 150-55 Noir 1
MATERIAL QTY



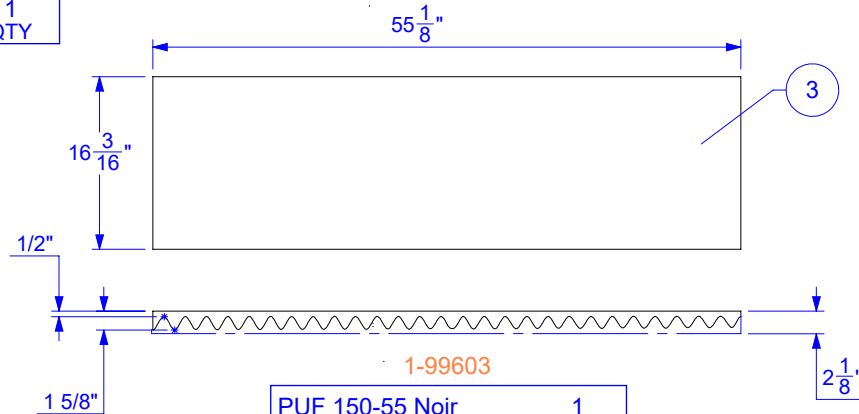
1-99602A
PUF 150-55 Noir 1
MATERIAL QTY



1-99602B
PUF 150-55 Noir 1
MATERIAL QTY



1-99602C
PUF 150-55 Noir 1
MATERIAL QTY



1-99603
PUF 150-55 Noir 1
MATERIAL QTY

FOAM DENSITY MAY VARY. DIMENSIONS ARE IN INCHES UNLESS OTHERWISE SPECIFIED