



1059, boulevard des Entreprises Ouest  
 Terrebonne, QC Canada J6Y 1V2  
 Tel 450-628-1006 1.800.783.6883  
 Fax 450-628-7801 1.888.783.6883  
 www.plasticase.com

**INSERT**

PROJECT

**996\_NANUK**

PRODUCT

**996\_NANUK\_Custom foam PDF**

DWG ID

STATUS

YOUR SIGNATURE IS REQUIRED FOR APPROVAL BEFORE ANY RELEASE OF PRODUCTION DRAWINGS

SIGNATURE

DATE

**TOLERANCES**

CUTOUTS +/- 1/16

OVERALL FOAM THICKNESS & CAVITY DEPTHS +/- 1/8

GLUED TO CASE TOP  BASE  VELCRO  EXTRA

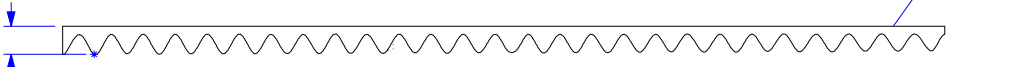
REVISIONS

REV.	DESCRIPTION	DATE	INIT.
α.03	GENERAL MODIFICATION	2023-02-28	WV
α.04	GENERAL MODIFICATION	2023-04-06	WV

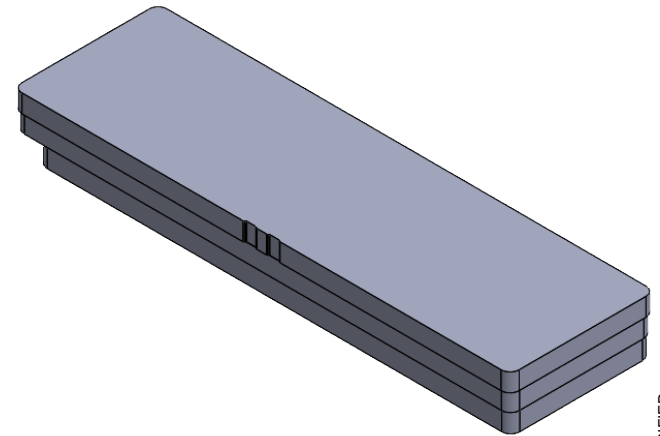
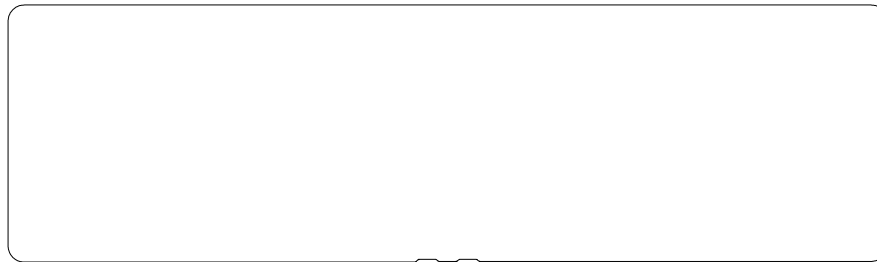
**LID TRAY - ELEVATION**

CV STANDARD  
1-99603

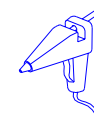
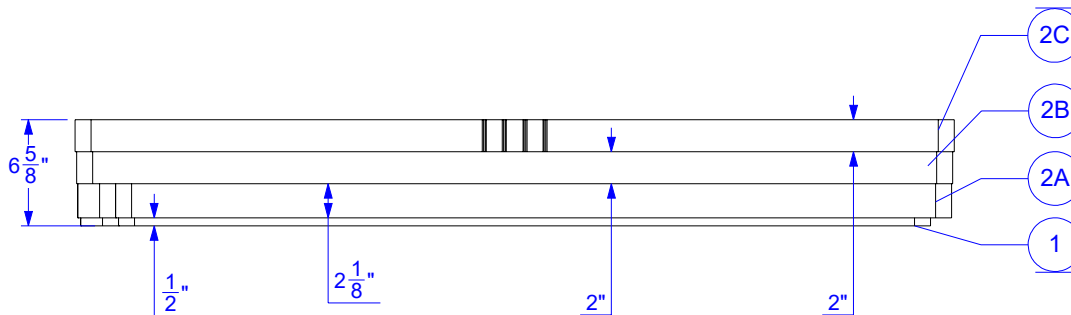
1 5/8"



**BASE TRAY**



**BASE TRAY - ELEVATION**



FOAM DENSITY MAY VARY  
DIMENSIONS ARE IN INCHES UNLESS OTHERWISE SPECIFIED

**PROPRIETARY AND CONFIDENTIAL**

THE INFORMATION CONTAINED IN THIS DRAWING IS THE SOLE & EXCLUSIVE PROPERTY OF PLASTICASE INC.  
 ANY REPRODUCTION IN PART OR WHOLE WITHOUT THE WRITTEN PERMISSION OF PLASTICASE INC. IS PROHIBITED.

DO NOT SCALE DRAWING  
SHEET SCALE 1:10

REPRESENTATIVE

David Vidal  
DESIGNER

2023-08-28  
DATE

1/7

YOUR SIGNATURE IS REQUIRED FOR APPROVAL BEFORE ANY RELEASE OF PRODUCTION DRAWINGS

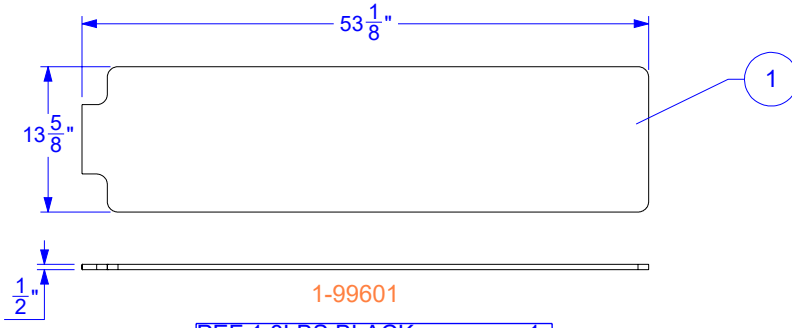
SIGNATURE

DATE

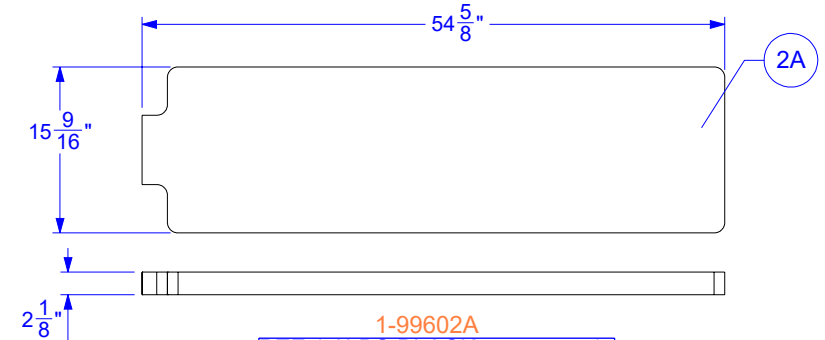
TOLERANCES

CUTOUTS +/- 1/16

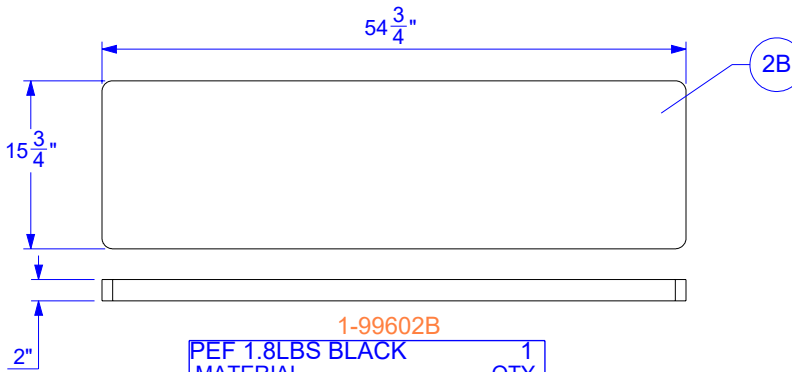
OVERALL FOAM THICKNESS & CAVITY DEPTHS +/- 1/8



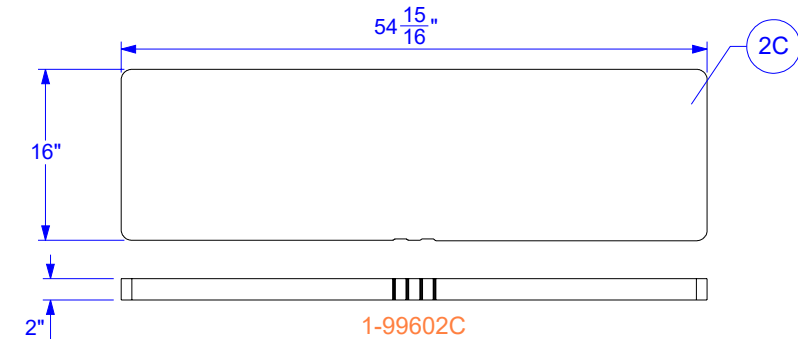
1-99601  
 PEF 1.8LBS BLACK MATERIAL 1 QTY



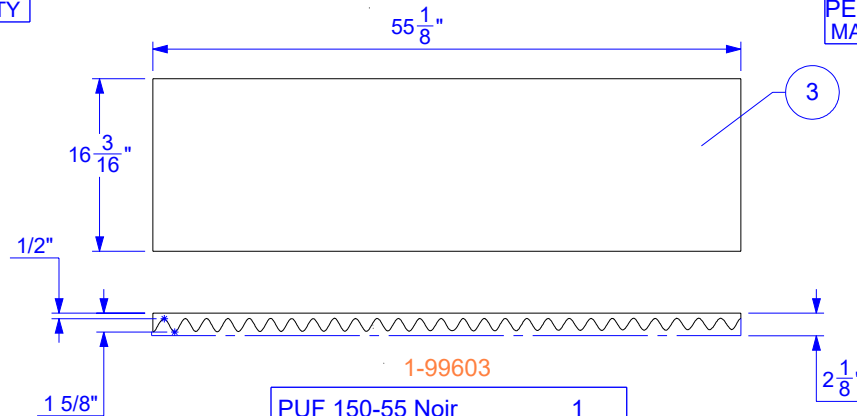
1-99602A  
 PEF 1.8LBS BLACK MATERIAL 1 QTY



1-99602B  
 PEF 1.8LBS BLACK MATERIAL 1 QTY



1-99602C  
 PEF 1.8LBS BLACK MATERIAL 1 QTY



1-99603  
 PUF 150-55 Noir MATERIAL 1 QTY

FOAM DENSITY MAY VARY  
 DIMENSIONS ARE IN INCHES UNLESS OTHERWISE SPECIFIED