

YOUR SIGNATURE IS REQUIRED FOR APPROVAL BEFORE ANY RELEASE OF PRODUCTION DRAWINGS

SIGNATURE

DATE

**TOLERANCES**

CUTOUTS +/- 1/16

OVERALL FOAM THICKNESS & CAVITY DEPTHS +/- 1/8

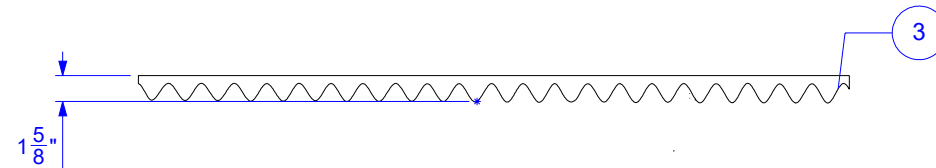
**GLUED TO CASE** TOP  BASE  VELCRO  EXTRA

REVISIONS

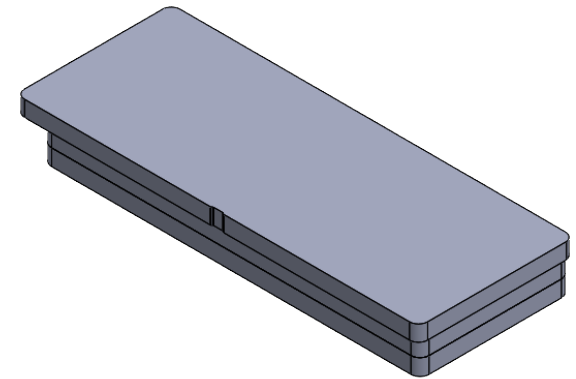
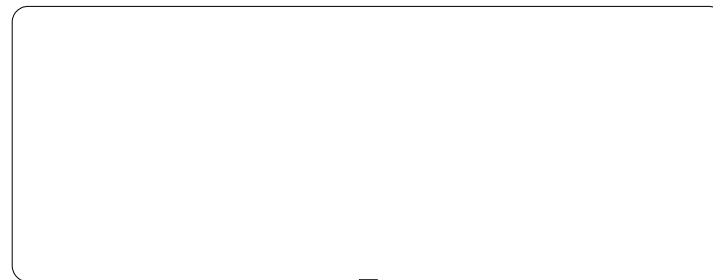
REV.	DESCRIPTION	DATE	INIT.
α.02	GENERAL MODIFICATION	2023-02-28	WV
α.03	GENERAL MODIFICATION	2023-04-05	WV
α.04	GENERAL MODIFICATION	2023-04-28	WV
α.05	GENERAL MODIFICATION	2023-05-10	WV

LID TRAY - ELEVATION

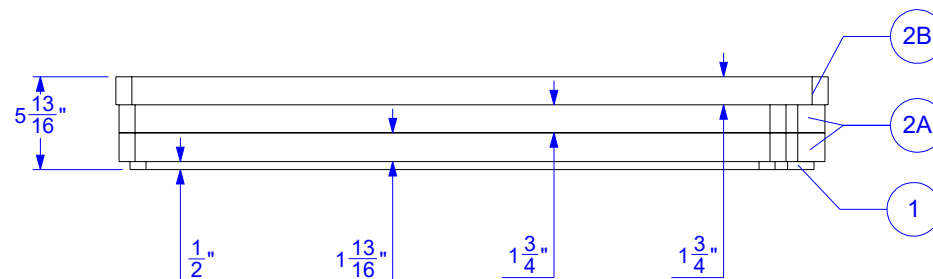
CV STANDARD  
1-99103



BASE TRAY



BASE TRAY - ELEVATION



**!! LOOSE !!**

FOAM DENSITY MAY VARY. DIMENSIONS ARE IN INCHES UNLESS OTHERWISE SPECIFIED

YOUR SIGNATURE IS REQUIRED FOR APPROVAL BEFORE ANY RELEASE OF PRODUCTION DRAWINGS

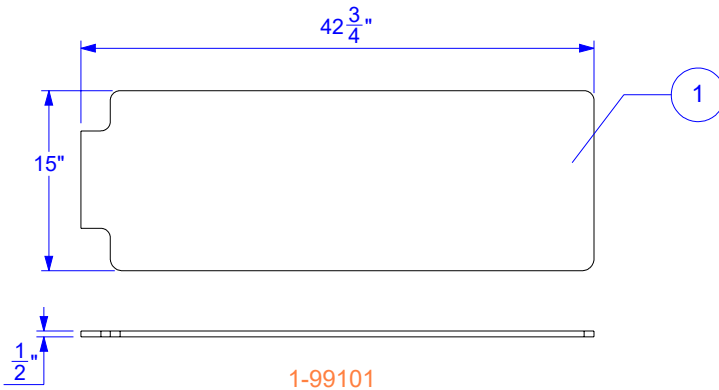
SIGNATURE

DATE

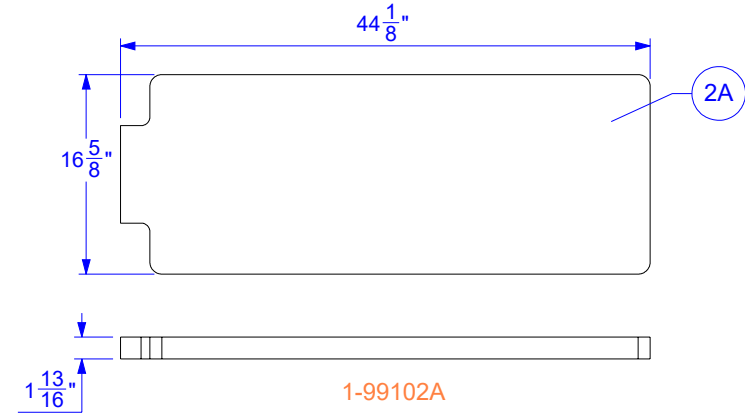
**TOLERANCES**

CUTOUTS +/- 1/16

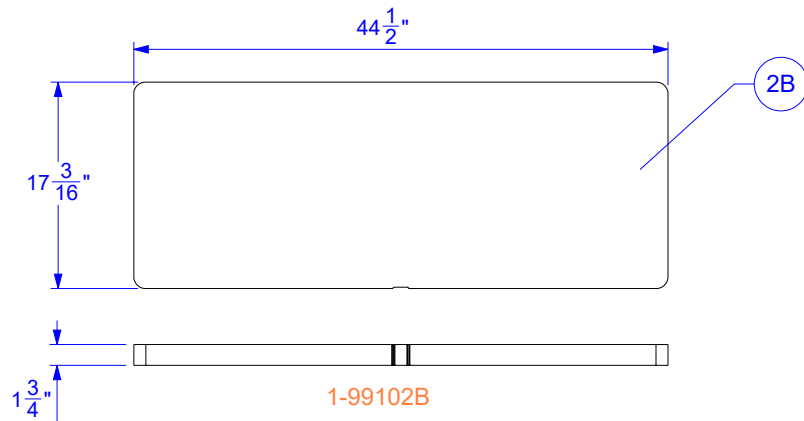
OVERALL FOAM THICKNESS & CAVITY DEPTHS +/- 1/8



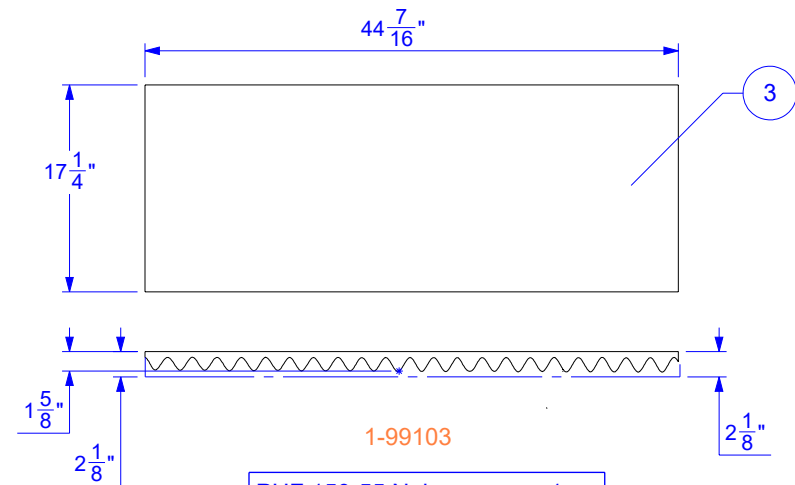
1-99101  
 PUF 150-55 Noir 1  
 MATERIAL QTY



1-99102A  
 PUF 150-55 Noir 2  
 MATERIAL QTY



1-99102B  
 PUF 150-55 Noir 1  
 MATERIAL QTY



1-99103  
 PUF 150-55 Noir 1  
 MATERIAL QTY

FOAM DENSITY MAY VARY. DIMENSIONS ARE IN INCHES UNLESS OTHERWISE SPECIFIED