

YOUR SIGNATURE IS REQUIRED FOR APPROVAL BEFORE ANY RELEASE OF PRODUCTION DRAWINGS

SIGNATURE

DATE

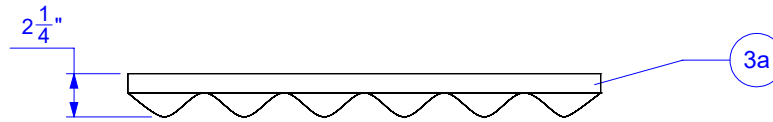
TOLERANCES

CUTOUTS +/- 1/16

OVERALL FOAM THICKNESS & CAVITY DEPTHS +/- 1/8

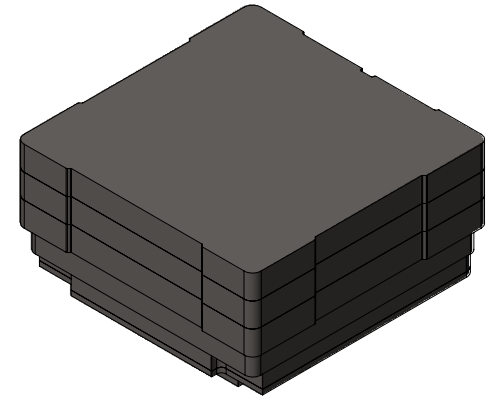
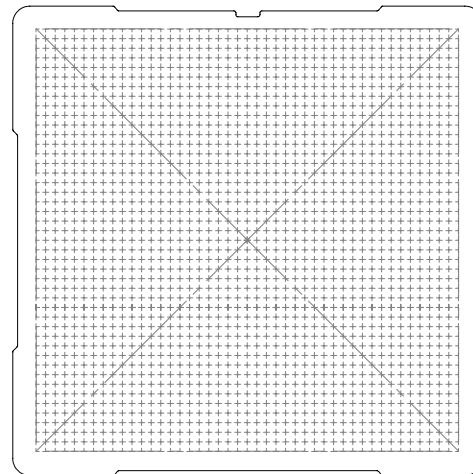
REVISIONS			
REV.	DESCRIPTION	DATE	INITIALS

LID TRAY - ELEVATION

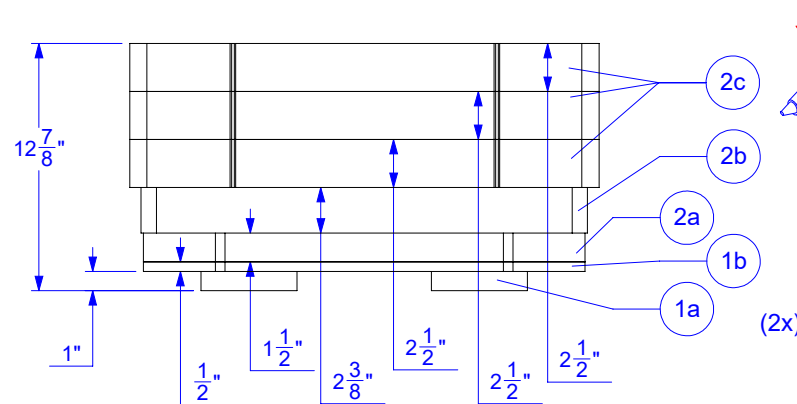


**DESSIN DE REFERENCE
 SEULEMENT**

BASE TRAY



BASE TRAY - ELEVATION



FOAM DENSITY MAY VARY.
 DIMENSIONS ARE IN INCHES UNLESS OTHERWISE SPECIFIED

PROPRIETARY AND CONFIDENTIAL

THE INFORMATION CONTAINED IN THIS DRAWING IS THE SOLE & EXCLUSIVE PROPERTY OF PLASTICASE INC. ANY REPRODUCTION IN PART OR WHOLE WITHOUT THE WRITTEN PERMISSION OF PLASTICASE INC. IS PROHIBITED.

DO NOT SCALE DRAWING
 SHEET SCALE 1:10

Frank Vitiello
 REPRESENTATIVE

Eric Pond
 DESIGNER

2019-12-03
 DATE

1/2

YOUR SIGNATURE IS REQUIRED FOR APPROVAL BEFORE ANY RELEASE OF PRODUCTION DRAWINGS

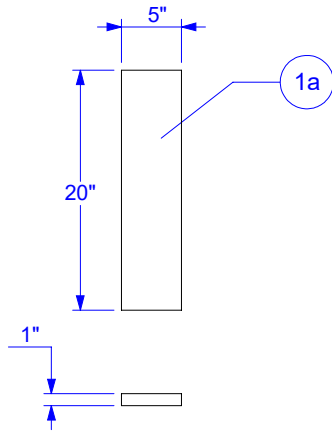
TOLERANCES

CUTOUTS +/- 1/16

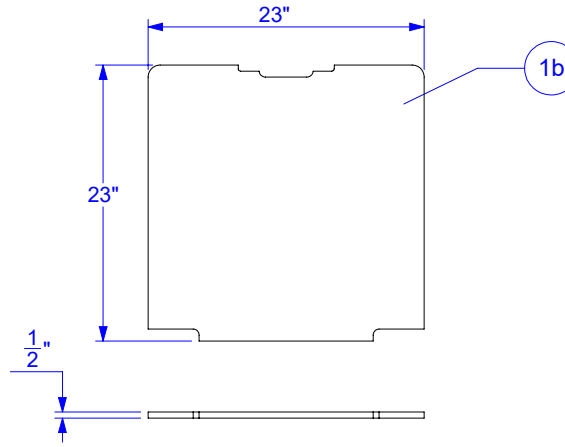
OVERALL FOAM THICKNESS & CAVITY DEPTHS +/- 1/8

SIGNATURE

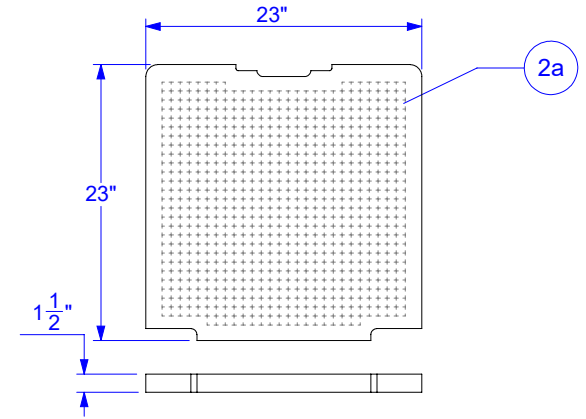
DATE



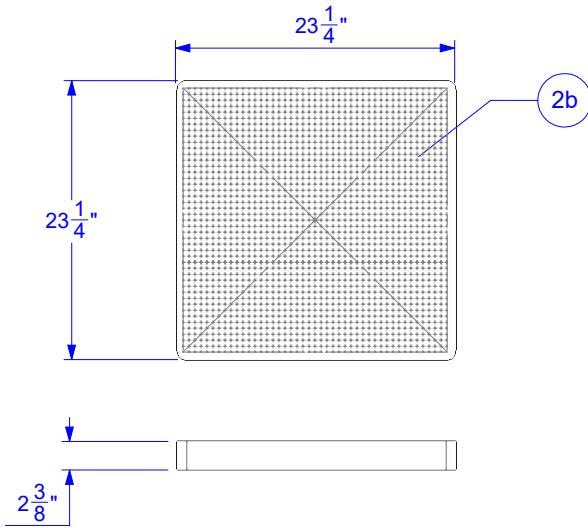
PUF P150-55 BLK MATERIAL 2 QTY



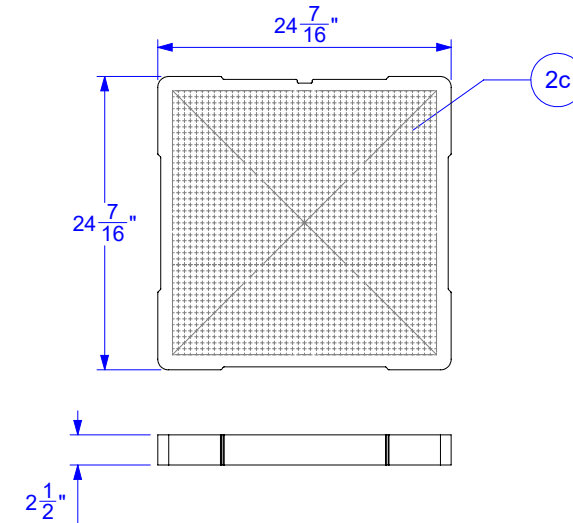
PUF P150-55 BLK MATERIAL 1 QTY



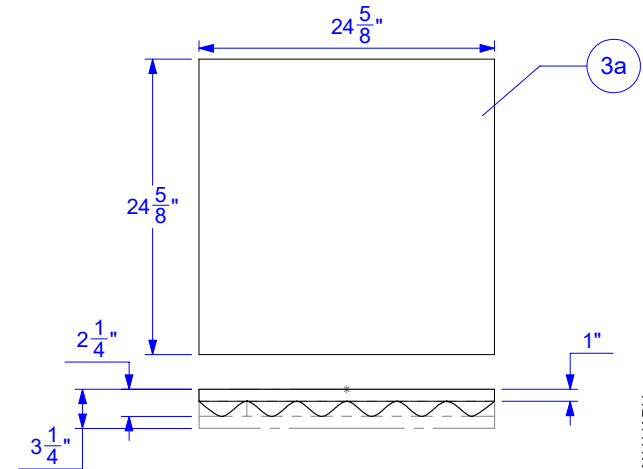
PUF P150-55 BLK MATERIAL 1 QTY



PUF P150-55 BLK MATERIAL 1 QTY



PUF P150-55 BLK MATERIAL 3 QTY



PUF P150-55 BLK MATERIAL 1 QTY

FOAM DENSITY MAY VARY. DIMENSIONS ARE IN INCHES UNLESS OTHERWISE SPECIFIED

PROPRIETARY AND CONFIDENTIAL

THE INFORMATION CONTAINED IN THIS DRAWING IS THE SOLE & EXCLUSIVE PROPERTY OF PLASTICASE INC. ANY REPRODUCTION IN PART OR WHOLE WITHOUT THE WRITTEN PERMISSION OF PLASTICASE INC. IS PROHIBITED.

DO NOT SCALE DRAWING
SHEET SCALE 1:16

Frank Vitiello
REPRESENTATIVE

Eric Pond
DESIGNER

2019-12-03
DATE

2/2