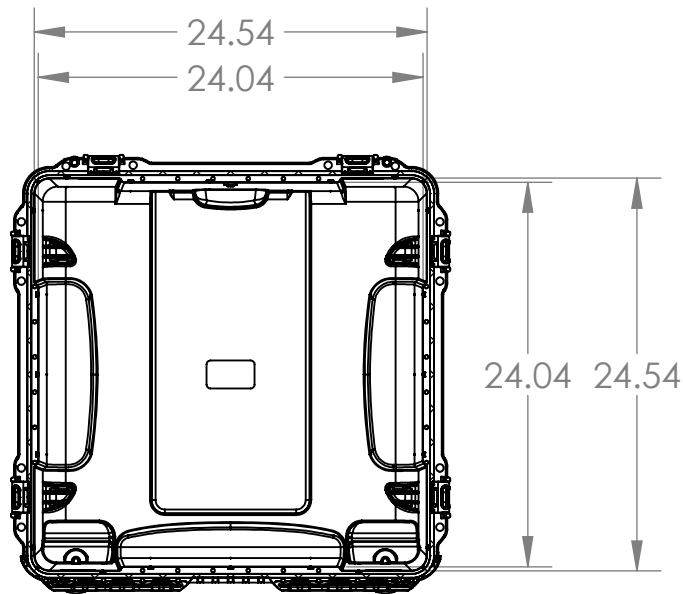
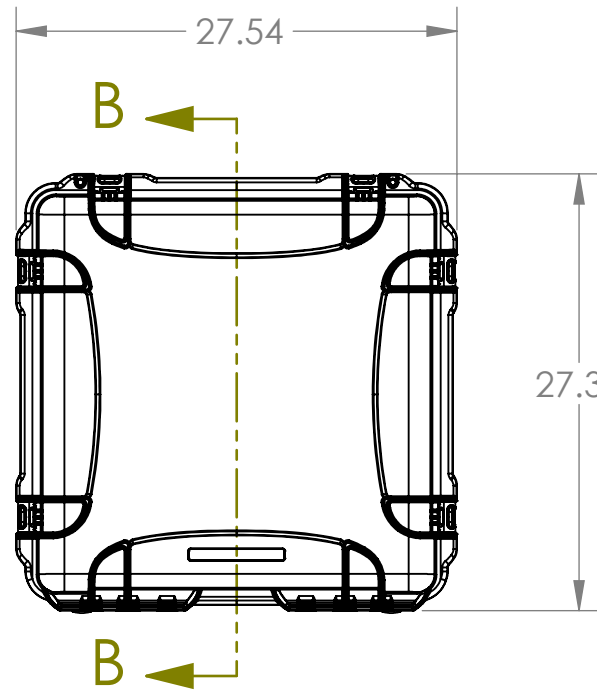
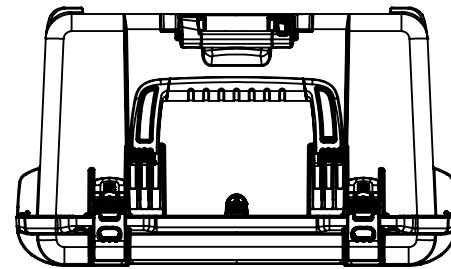
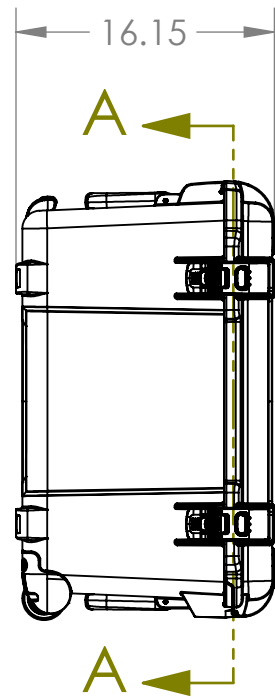
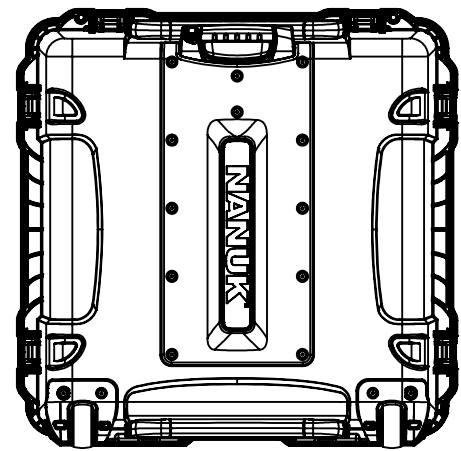
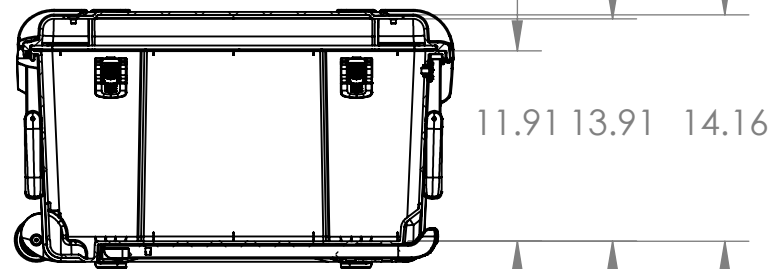


THE INFORMATION CONTAINED IN THIS DRAWING IS THE SOLE PROPERTY OF PLASTICASE ANY REPRODUCTION IN PART OR WHOLE WITHOUT THE WRITTEN PERMISSION OF PLASTICASE IS PROHIBITED.

REVISIONS			
REV.	DESCRIPTION	DATE	APPROVED



SECTION A-A



SECTION B-B

### NANUK 970 Specifications

Case Weight Empty	26.3 lbs / 11.92 kg
Interior Length	24" / 610 mm
Interior Width	24" / 610 mm
Interior Height	14.2" / 361mm
Interior Lid Depth	2.3" / 58 mm
Interior Base Depth	11.9" / 302 mm
Exterior Length	27.5" / 699 mm
Exterior Width	27.2" / 691 mm
Exterior Height	16" / 406 mm
Master Pack Qty.	1
Master Pack Wt.	TBD
Max Buoyancy	TBD

PARTS LIST			
UNLESS OTHERWISE SPECIFIED DIMENSIONS ARE IN INCHES	CAD GENERATED DRAWING, DO NOT MANUALLY UPDATE		<p>PLASTICASE</p> <p>NANUK 970</p>
	APPROVALS	DATE	
	DRAWN S.C.	18/02/2020	
	CHECKED		
MATERIAL	RESP ENG		
FINISH --	MFG ENG		
DO NOT SCALE DRAWING	QUAL ENG		
SIZE B		DWG. NO.	REV.
SCALE 1:12		CAD FILE: 970_Assembly_T1	SHEET 1 OF 1