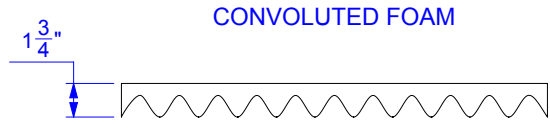
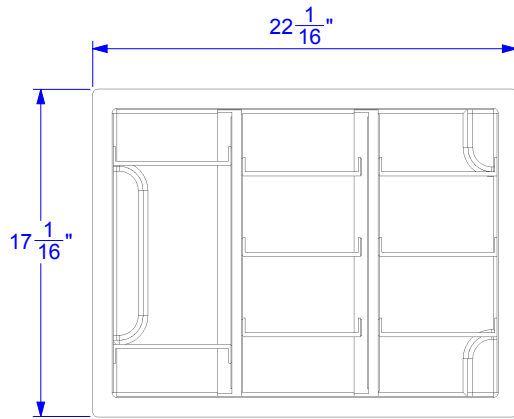


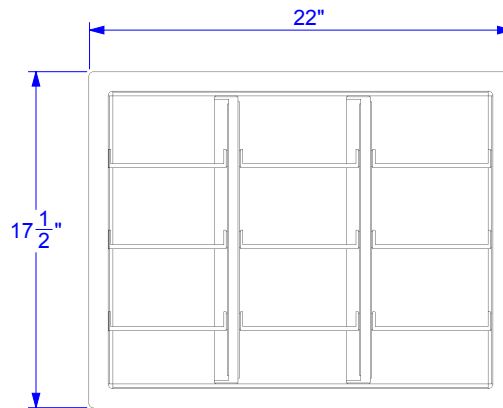
ITEM	DESCRIPTION	QTY.
1	960_PADDED DIVIDER 5.5" X 0.5" X 6.2"	8
2	960_PADDED DIVIDER 5.5" X 0.5" X 15"	2
3	960_CONVOLUTED FOAM	1
4	960_PADDED DIVIDER BASE CONTOUR	1
5	960_PADDED DIVIDER TRAY CONTOUR	1
6	960_PADDED DIVIDER 3" X 0.5" X 15"	2
7	960_PADDED DIVIDER 3" X 0.5" X 6.2"	9



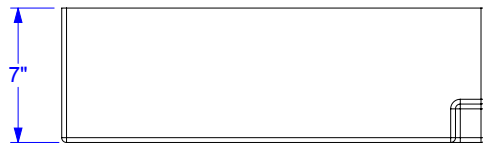
CONVOLUTED FOAM



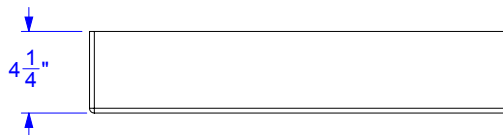
BASE



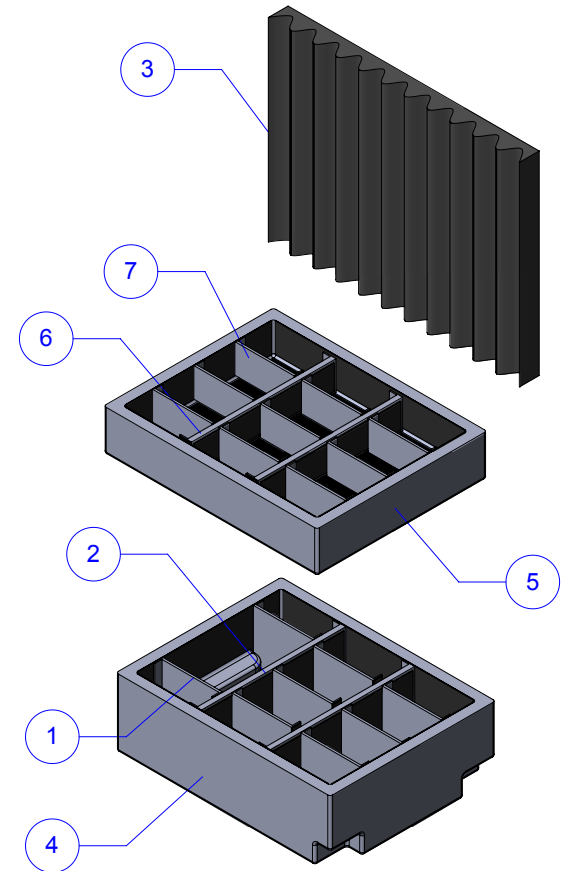
TRAY



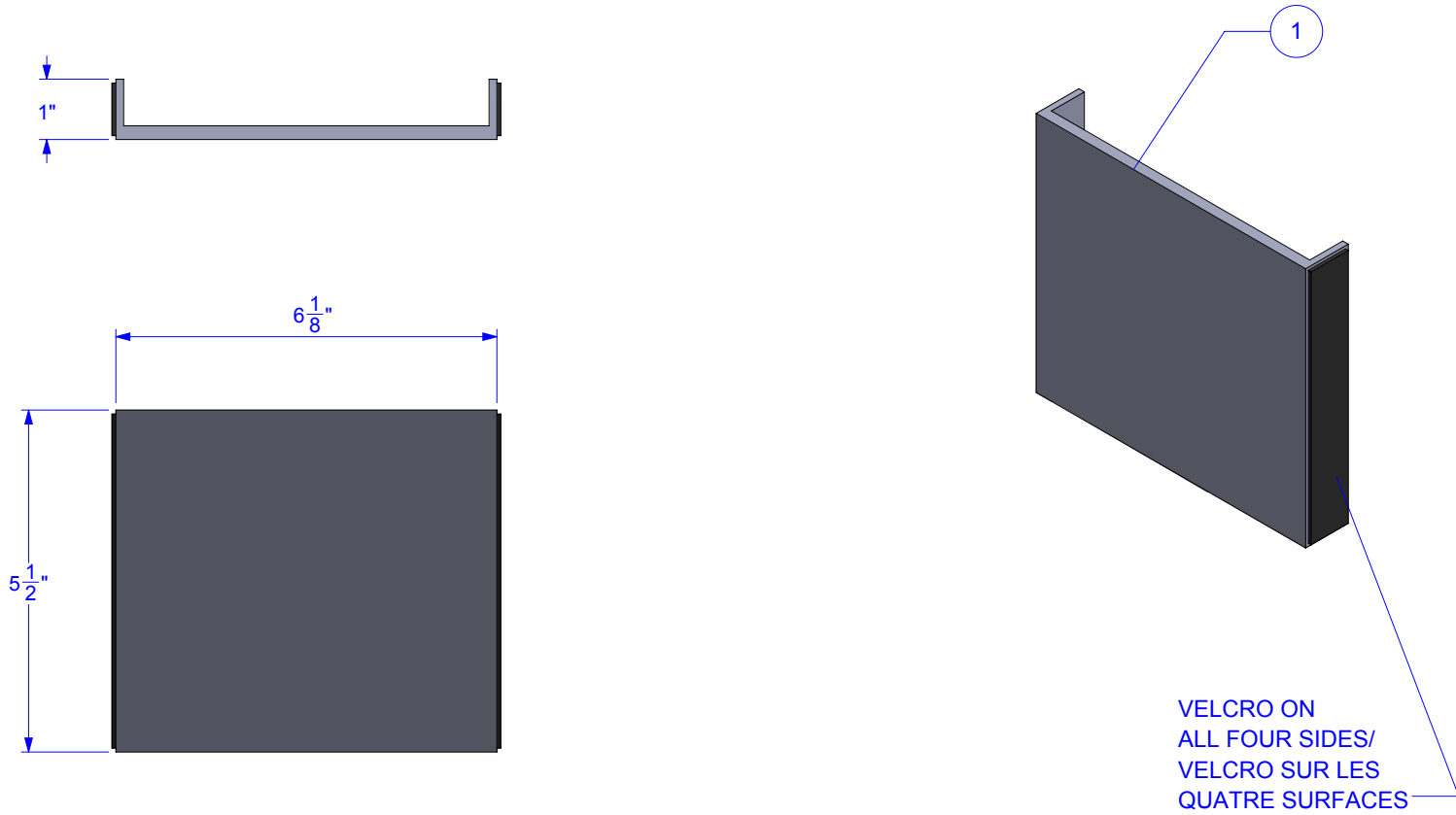
BASE - ELEVATION



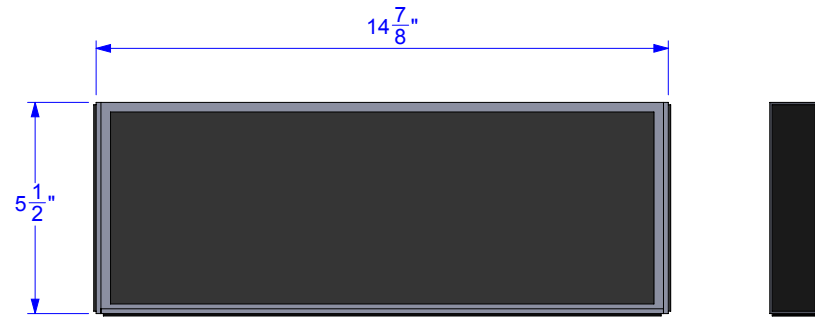
TRAY - ELEVATION



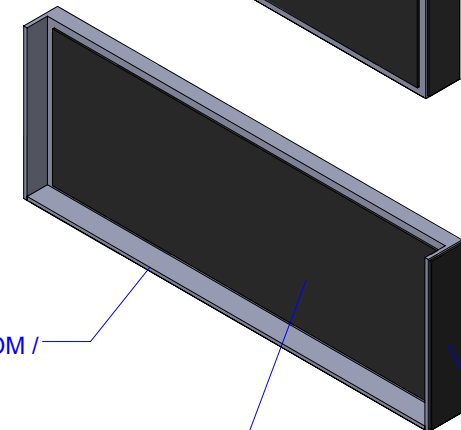
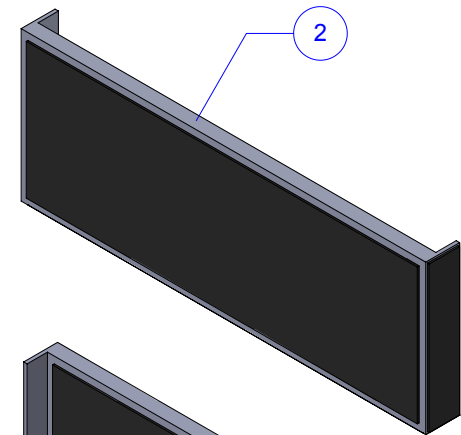
REV.	DESCRIPTION	DATE	INIT
REVISIONS			



960_PADDED DIVIDER 5.5" X 0.5" X 6.2"



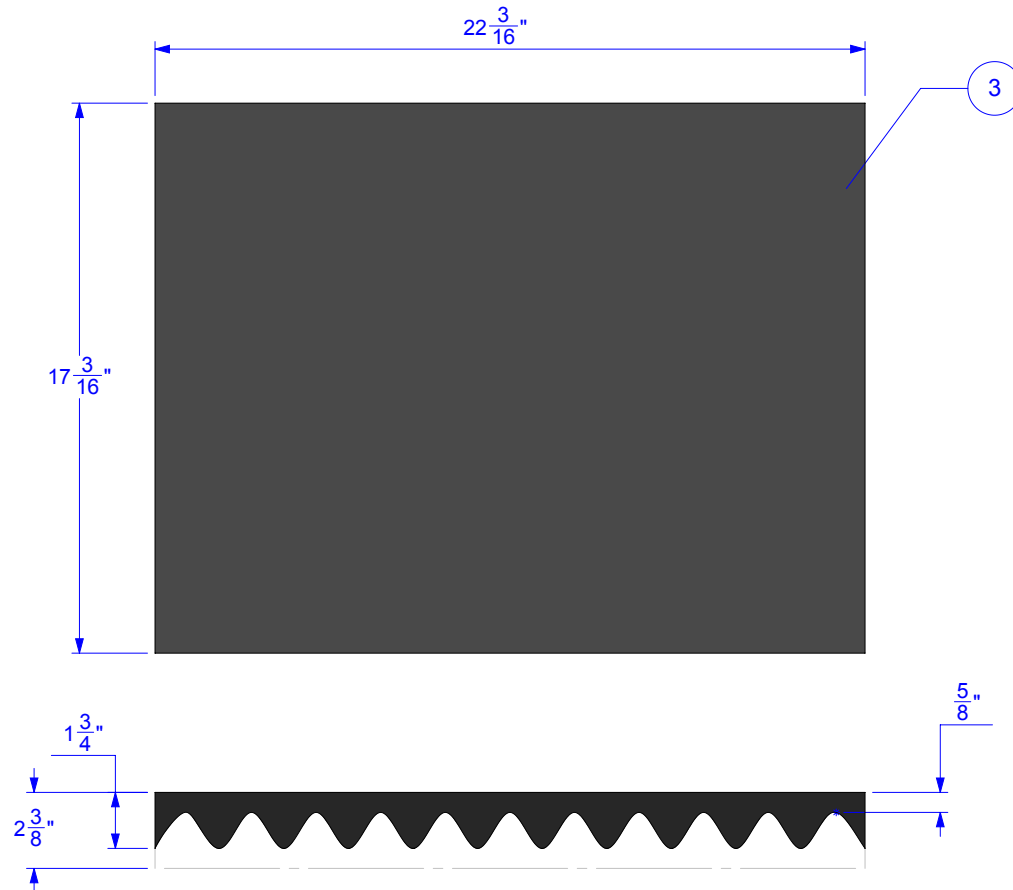
960_PADDED DIVIDER 5.5" X 0.5" X 15"



VELCRO ON THE BOTTOM /
VELCRO EN DESSOUS

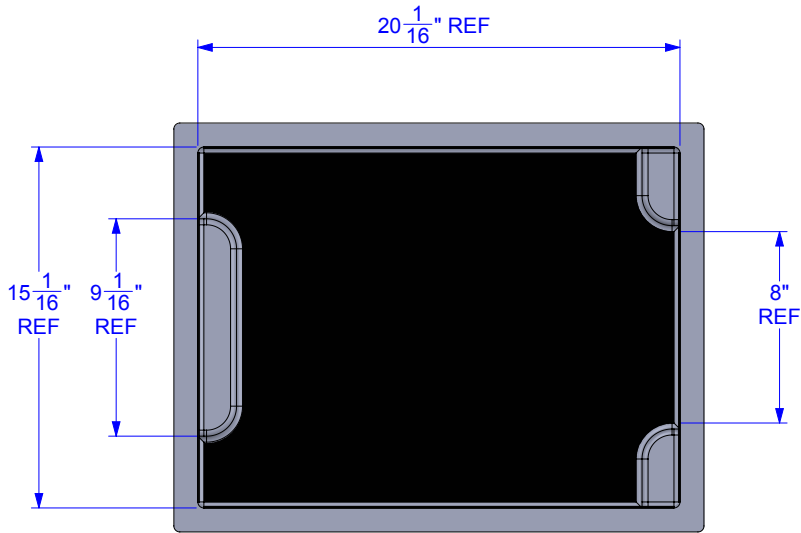
VELCRO ON BOTH SIDES /
VELCRO SUR LES
DEUX COTES

VELCRO ON BOTH ENDS /
VELCRO SUR LES
DEUX EXTREMITES

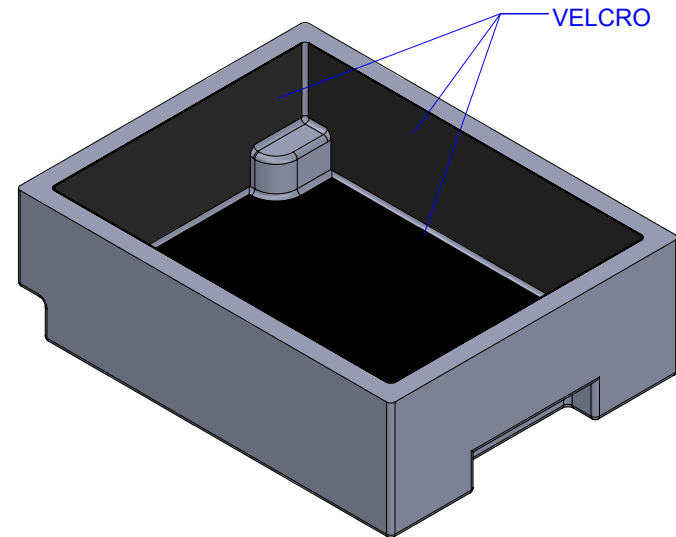
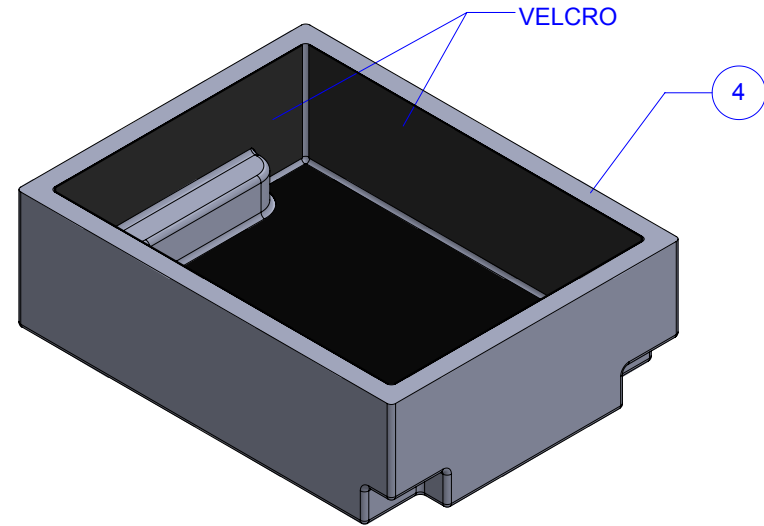


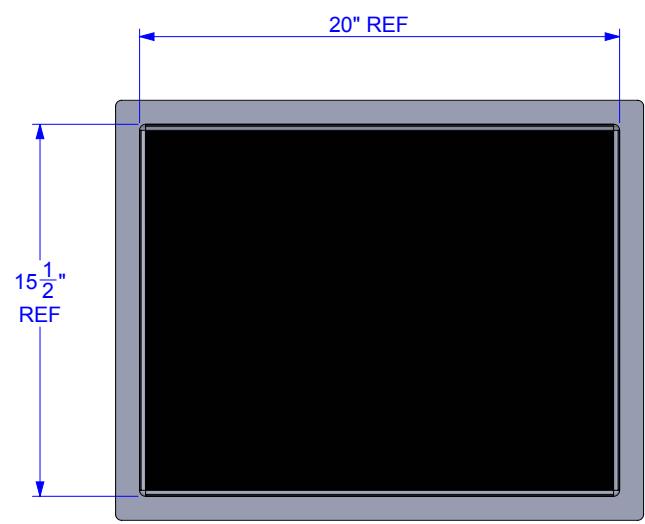
PUF P150-55 BLK 2 3/8" THICK 5/8" BASE MATERIAL

960_CONVOLUTED FOAM

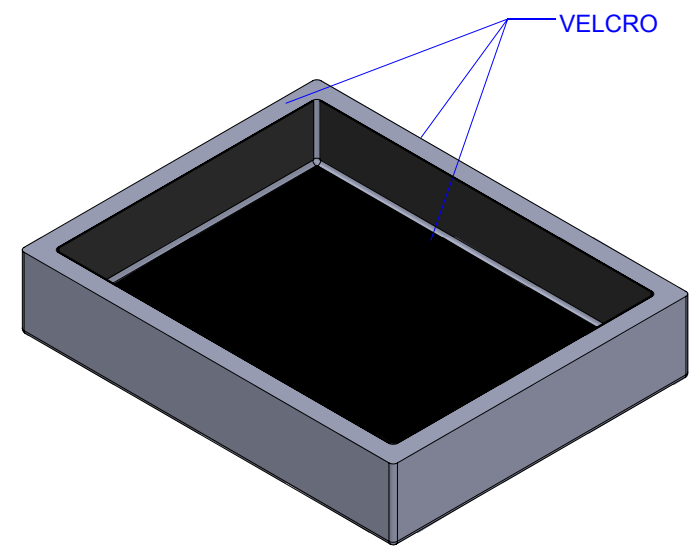
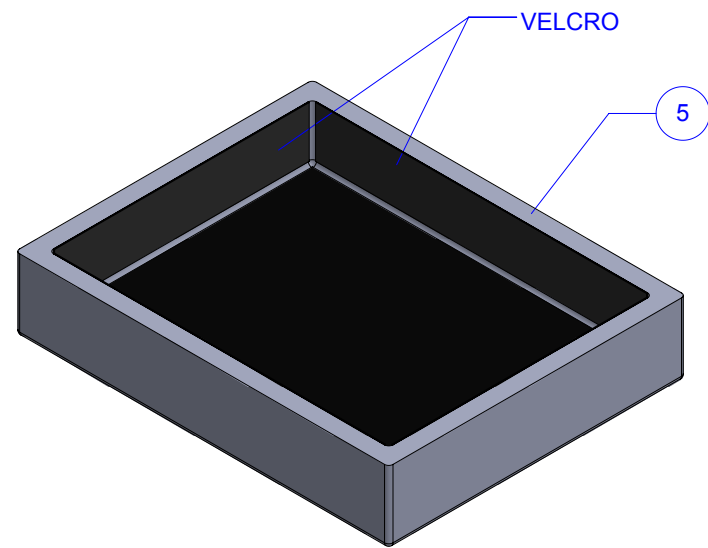


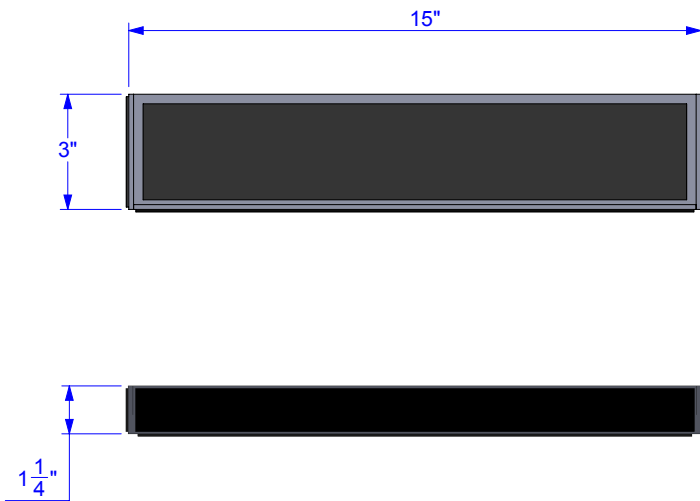
960_PADDED DIVIDER BASE CONTOUR



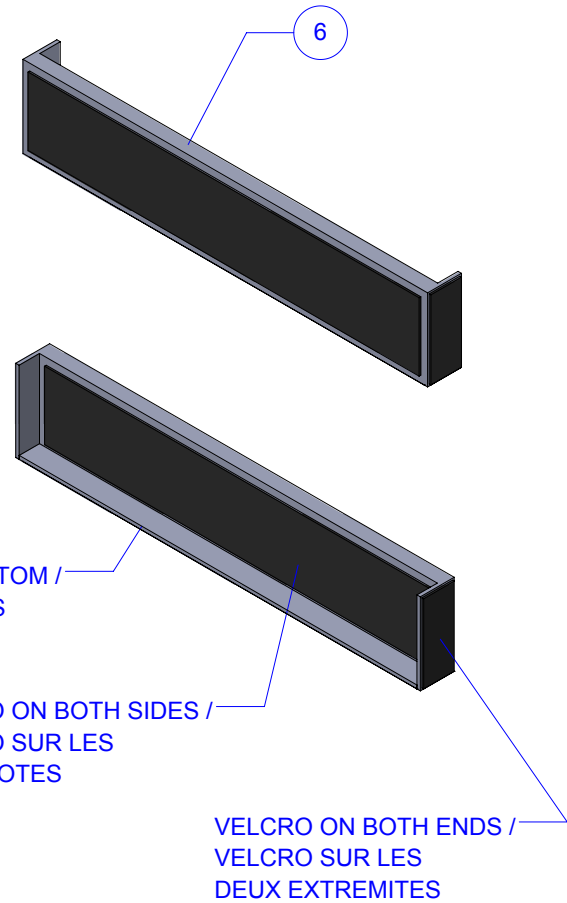


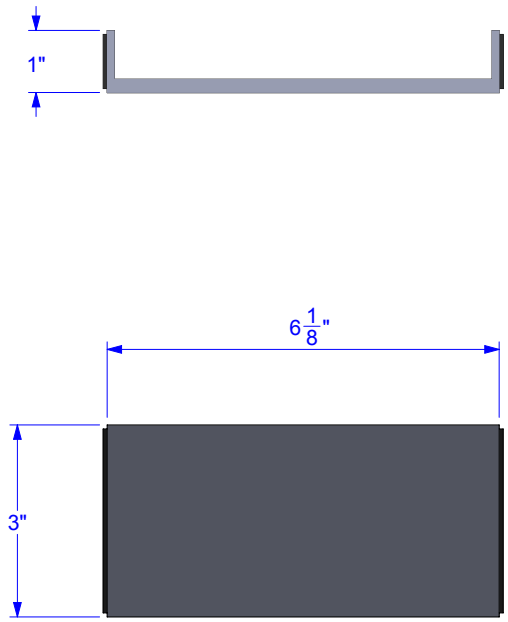
960_PADDED DIVIDER TRAY CONTOUR





960_PADDED DIVIDER 3" X 0.5" X 15"





960_PADDED DIVIDER 3" X 0.5" X 6.2"

