



1059, boulevard des Entreprises Ouest
 Terrebonne, QC Canada J6Y 1V2
 Tel 450-628-1006 1.800.783.6883
 Fax 450-628-7801 1.888.783.6883
 www.plasticase.com

INSERT

PROJECT

933_NANUK

PRODUCT

933_BASE

DWG ID

STATUS

YOUR SIGNATURE IS REQUIRED FOR APPROVAL BEFORE ANY RELEASE OF PRODUCTION DRAWINGS

SIGNATURE

DATE

TOLERANCES

CUTOUTS +/- 1/16

OVERALL FOAM THICKNESS & CAVITY DEPTHS +/- 1/8

GLUED TO CASE TOP BASE VELCRO EXTRA

PRINTING PRINT PLAIN NANUK LABEL

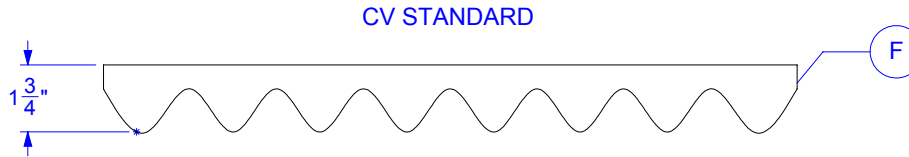
QUANTITY _____

COLOR _____

REVISIONS

REV.	DESCRIPTION	DATE	INITALS

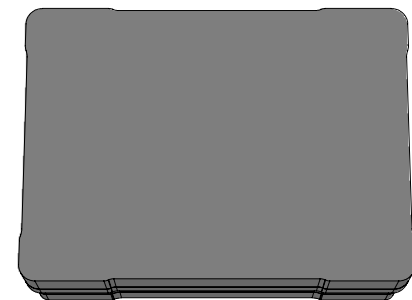
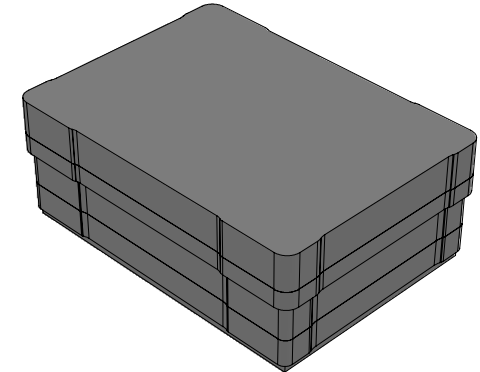
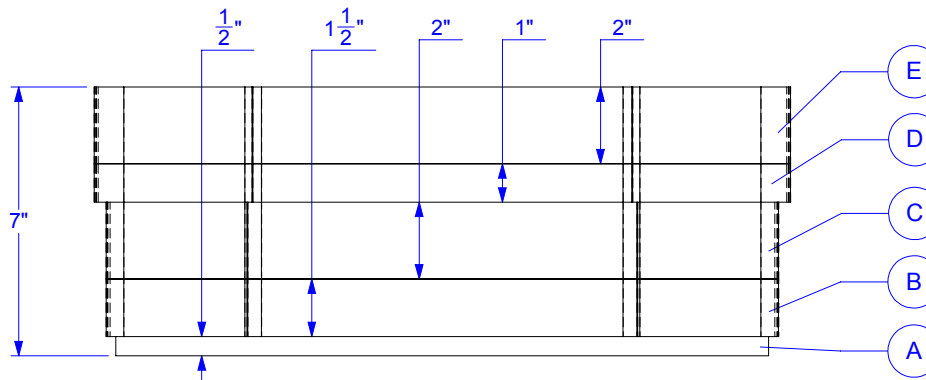
LID TRAY - ELEVATION



BASE TRAY



BASE TRAY - ELEVATION



FOAM DENSITY MAY VARY. DIMENSIONS ARE IN INCHES UNLESS OTHERWISE SPECIFIED

PROPRIETARY AND CONFIDENTIAL

THE INFORMATION CONTAINED IN THIS DRAWING IS THE SOLE & EXCLUSIVE PROPERTY OF PLASTICASE INC. ANY REPRODUCTION IN PART OR WHOLE WITHOUT THE WRITTEN PERMISSION OF PLASTICASE INC. IS PROHIBITED.

DO NOT SCALE DRAWING
 SHEET SCALE 1:5

Frank Vitiello
 REPRESENTATIVE

Karen Dupuis
 DESIGNER

2015-09-17
 DATE

YOUR SIGNATURE IS REQUIRED FOR APPROVAL BEFORE ANY RELEASE OF PRODUCTION DRAWINGS

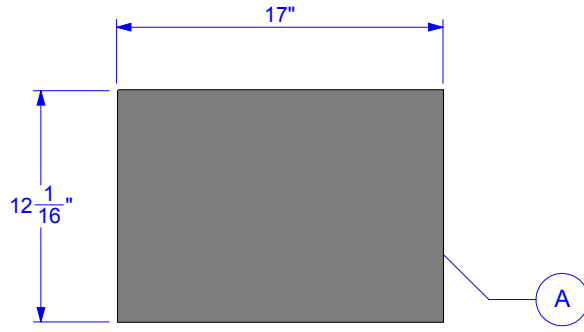
SIGNATURE

DATE

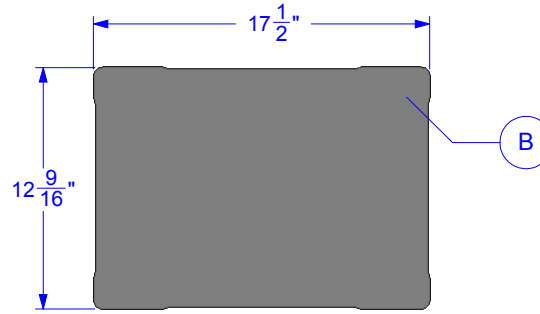
TOLERANCES

CUTOUTS +/- 1/16

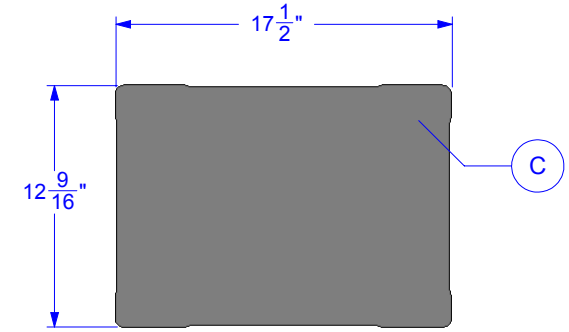
OVERALL FOAM THICKNESS & CAVITY DEPTHS +/- 1/8



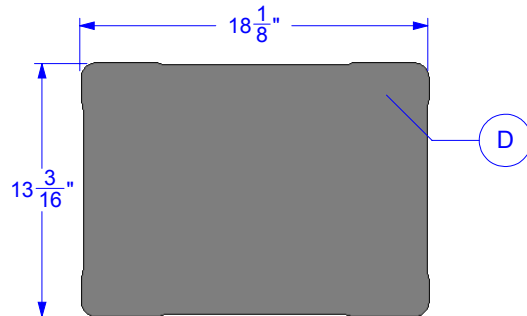
PEF 1.8LBS NOIR 1/2" THICK MATERIAL		
-	59"	1
LINEAR IN	DETAIL	QTY



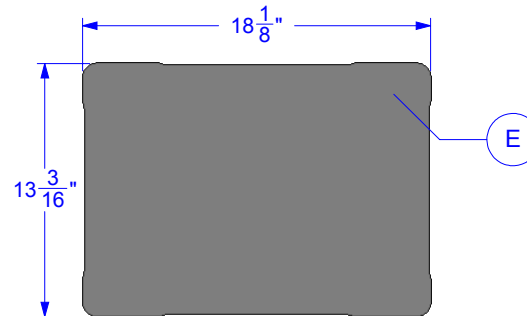
PEF 1.8LBS NOIR 1 1/2" THICK MATERIAL		
-	60"	1
LINEAR IN	DETAIL	QTY



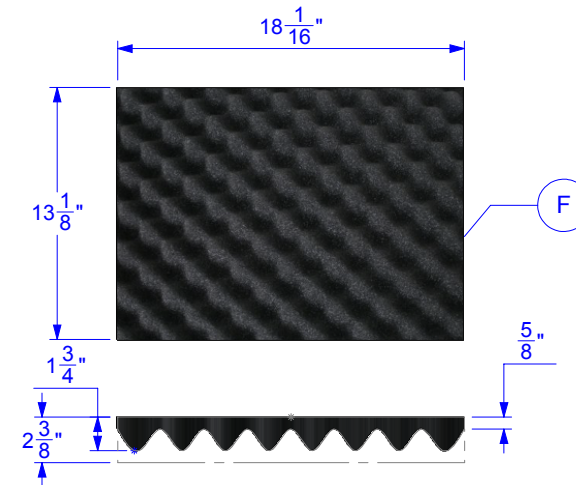
PEF 1.8LBS NOIR 2" THICK MATERIAL		
-	60"	1
LINEAR IN	DETAIL	QTY



PEF 1.8LBS NOIR 1" THICK MATERIAL		
-	61"	1
LINEAR IN	DETAIL	QTY



PEF 1.8LBS NOIR 2" THICK MATERIAL		
-	61"	1
LINEAR IN	DETAIL	QTY



PUF 150-55 2 3/8" THICK 5/8" BASE MATERIAL		
-	63"	1
LINEAR IN	DETAIL	QTY

FOAM DENSITY MAY VARY. DIMENSIONS ARE IN INCHES UNLESS OTHERWISE SPECIFIED