



1059, boulevard des Entreprises Ouest
 Terrebonne, QC Canada J6Y 1V2
 Tel 450-628-1006 1.800.783.6883
 Fax 450-628-7801 1.888.783.6883
 www.plasticase.com

CUBED FOAM INSERT 933_NANUK

PROJECT PRODUCT

YOUR SIGNATURE IS REQUIRED FOR APPROVAL BEFORE ANY RELEASE OF PRODUCTION DRAWINGS

SIGNATURE

DATE

933_NANUK_CUBE_FOAM_p.00

DWG ID

STATUS

TOLERANCES

CUTOUTS +/- 1/16

OVERALL FOAM THICKNESS & CAVITY DEPTHS +/- 1/8

GLUED TO CASE TOP BASE VELCRO EXTRA

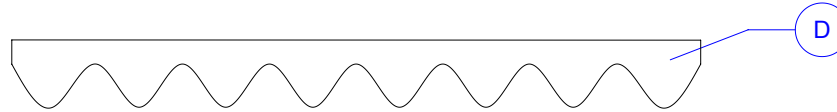
PRINTING PRINT PLAIN NANUK LABEL

QUANTITY _____

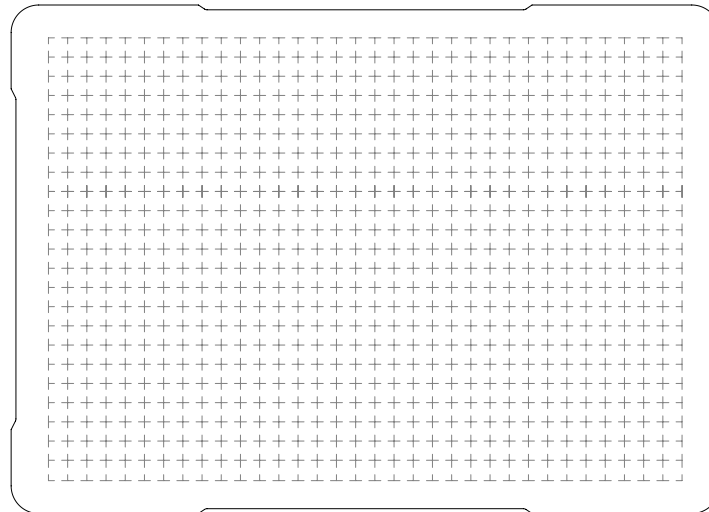
COLOR _____

REVISIONS			
REV.	DESCRIPTION	DATE	INITIALS

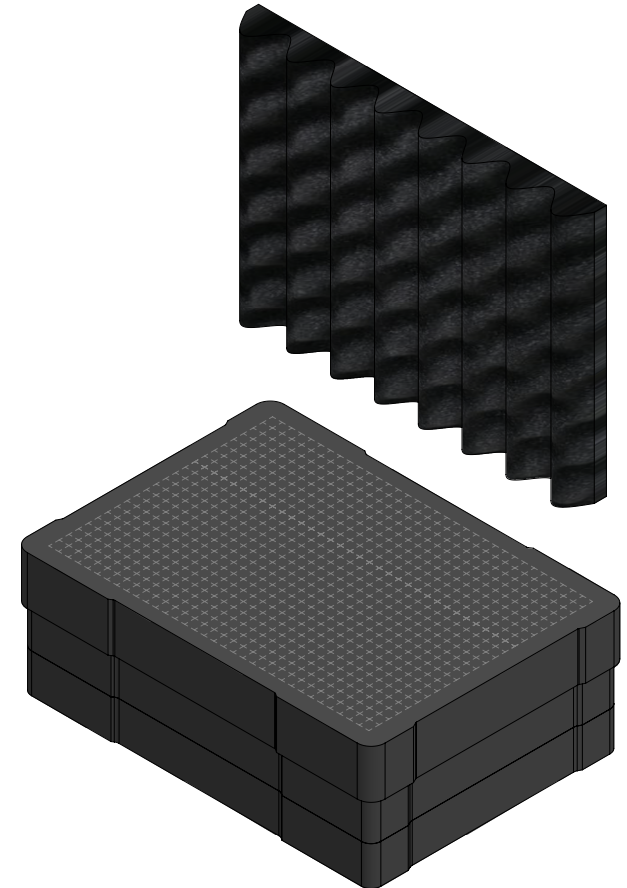
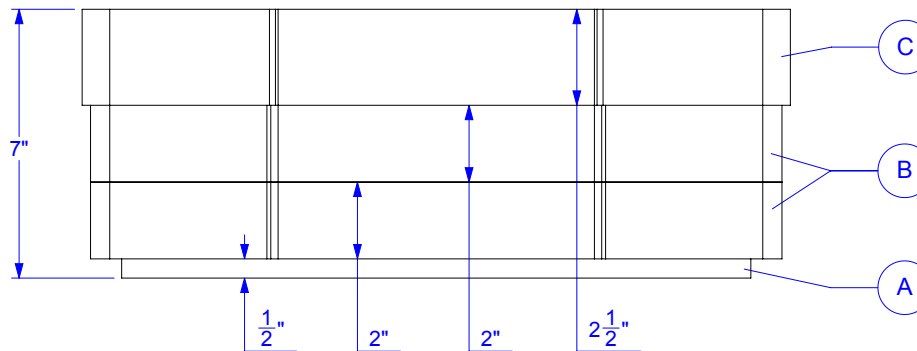
LID TRAY - ELEVATION



BASE TRAY



BASE TRAY - ELEVATION



FOAM DENSITY MAY VARY
DIMENSIONS ARE IN INCHES UNLESS OTHERWISE SPECIFIED

PROPRIETARY AND CONFIDENTIAL

THE INFORMATION CONTAINED IN THIS DRAWING IS THE SOLE & EXCLUSIVE PROPERTY OF PLASTICASE INC. ANY REPRODUCTION IN PART OR WHOLE WITHOUT THE WRITTEN PERMISSION OF PLASTICASE INC. IS PROHIBITED.

DO NOT SCALE DRAWING
SHEET SCALE 1:5

Frank Vitiello
REPRESENTATIVE

Karen Dupuis
DESIGNER

2016-03-21
DATE

CUBED FOAM INSERT

PROJECT

PRODUCT

YOUR SIGNATURE IS REQUIRED FOR APPROVAL BEFORE ANY RELEASE OF PRODUCTION DRAWINGS

SIGNATURE

DATE

933_NANUK_CUBE_FOAM_p.00

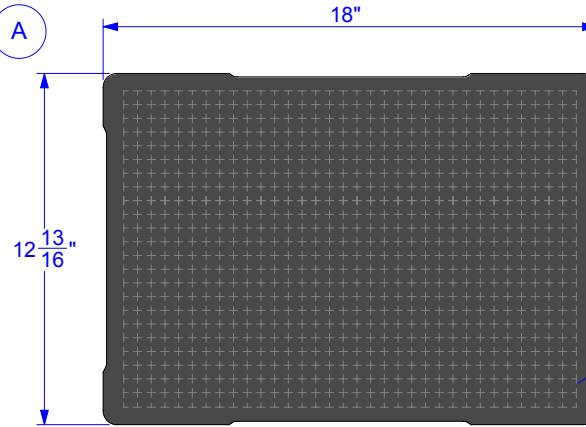
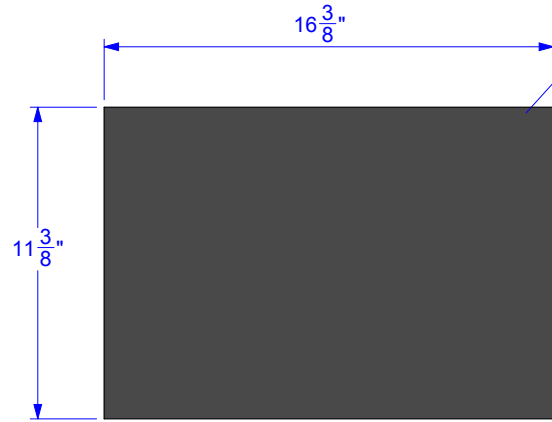
DWG ID

STATUS

TOLERANCES

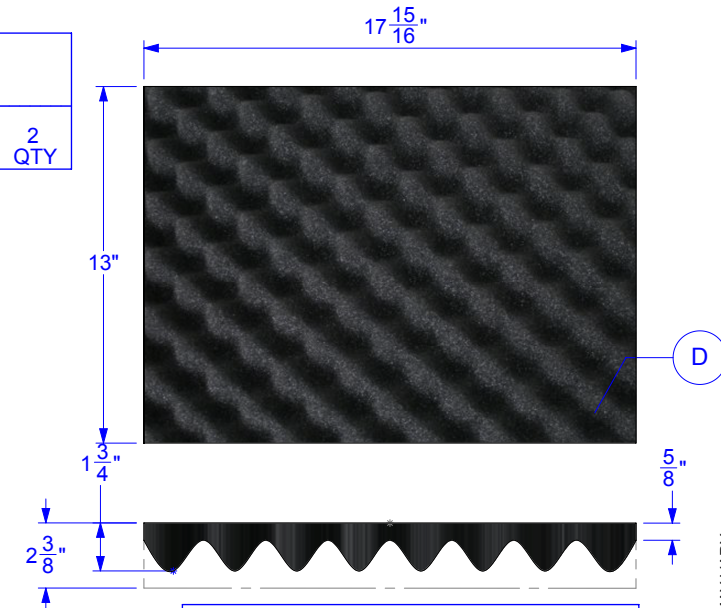
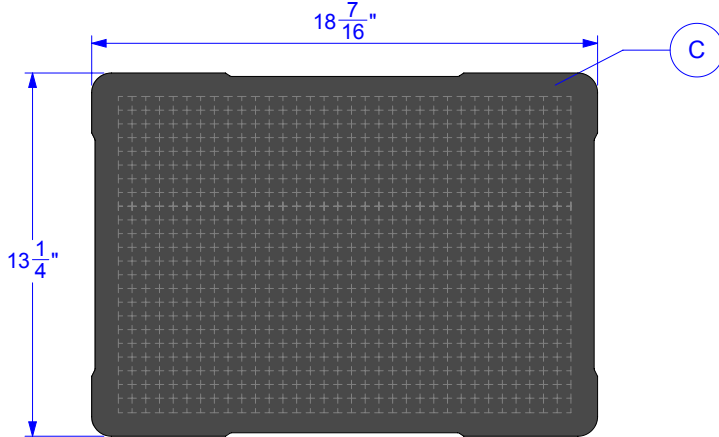
CUTOUTS +/- 1/16

OVERALL FOAM THICKNESS & CAVITY DEPTHS +/- 1/8



PUF P150-55 BLK 1/2" THICK MATERIAL		
-	55"	1
LINEAR IN	DETAIL	QTY

PUF P150-55 BLK 2" THICK MATERIAL		
-	61"	2
LINEAR IN	DETAIL	QTY



PUF P150-55 BLK 2 1/2" THICK MATERIAL		
-	63"	1
LINEAR IN	DETAIL	QTY

PUF 150-55 2 3/8" THICK 5/8" BASE MATERIAL		
-	63"	1
LINEAR IN	DETAIL	QTY

FOAM DENSITY MAY VARY. DIMENSIONS ARE IN INCHES UNLESS OTHERWISE SPECIFIED

PROPRIETARY AND CONFIDENTIAL

THE INFORMATION CONTAINED IN THIS DRAWING IS THE SOLE & EXCLUSIVE PROPERTY OF PLASTICASE INC. ANY REPRODUCTION IN PART OR WHOLE WITHOUT THE WRITTEN PERMISSION OF PLASTICASE INC. IS PROHIBITED.

DO NOT SCALE DRAWING
 SHEET SCALE 1:7

REPRESENTATIVE

Karen Dupuis
 DESIGNER

2016-03-21
 DATE