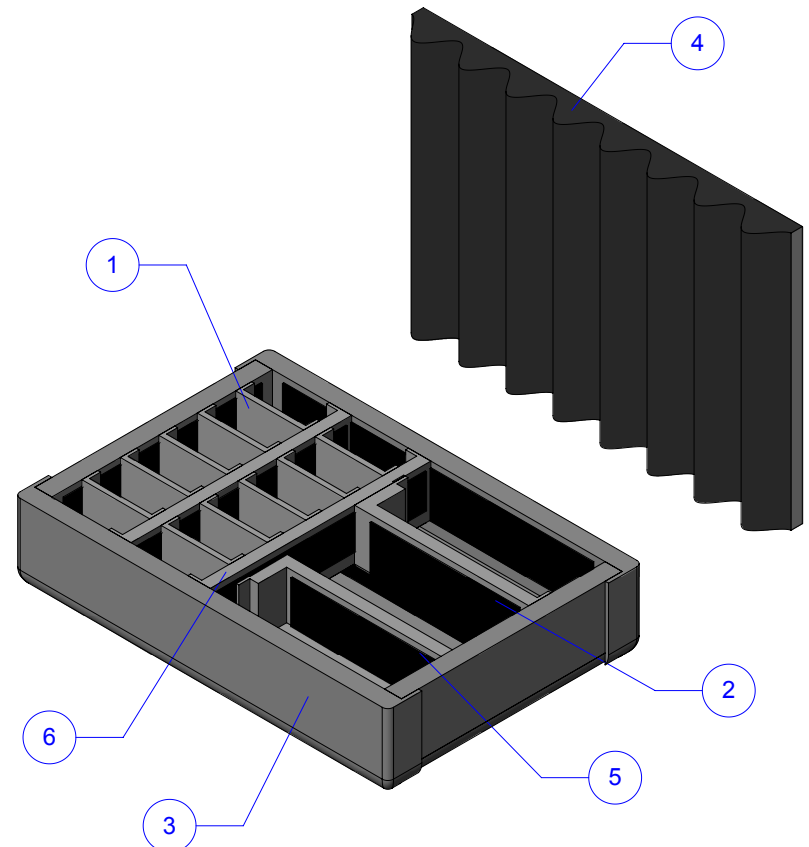
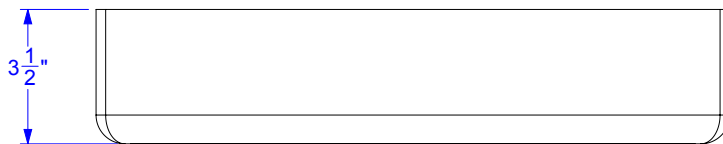
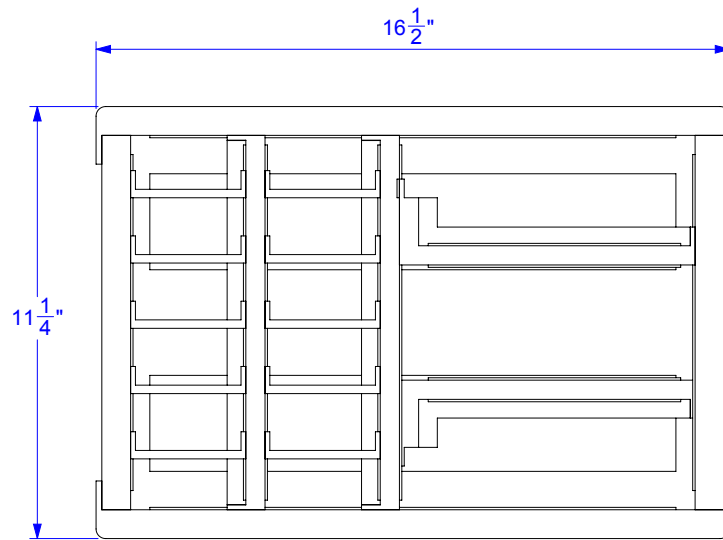
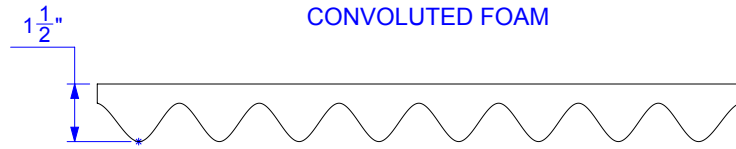


ITEM	DESCRIPTION	QTY.
1	923_PADDED DIVIDER 2.3" X 0.3" X 3"	10
2	923_PADDED DIVIDER 2.3" X 0.5" X 7.8" DR	1
3	923_PADDED DIVIDER CONTOUR	1
4	923_CONVOLUTED FOAM	1
5	923_PADDED DIVIDER 2.3" X 0.5" X 7.8" GA	1
6	923_PADDED DIVIDER 2.3" X 0.5" X 9.8"	2



REV.	DESCRIPTION	DATE	INITIALS
REVISIONS			



1059, boulevard des Entreprises Ouest
 Terrebonne, QC Canada J6Y 1V2
 Tel 450-628-1006 1.800.783.6883
 Fax 450-628-7801 1.888.783.6883
 www.plasticase.com

923_PADDED DIVIDER

PROJECT

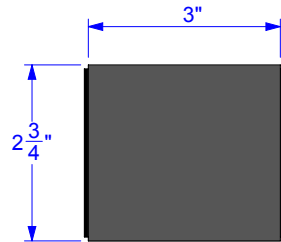
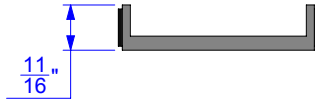
923_NANUK

PRODUCT

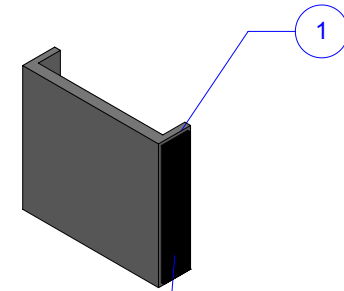
923_PADDED_DIVIDER_a.00

DWG ID

STATUS



923_PADDED DIVIDER 2.3" X 0.3" X 3"



VELCRO ON BOTH ENDS /
 VELCRO SUR LES
 DEUX EXTREMITES

FOAM DENSITY MAY VARY.
 DIMENSIONS ARE IN INCHES UNLESS OTHERWISE SPECIFIED

PROPRIETARY AND CONFIDENTIAL

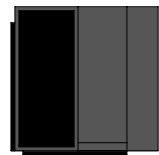
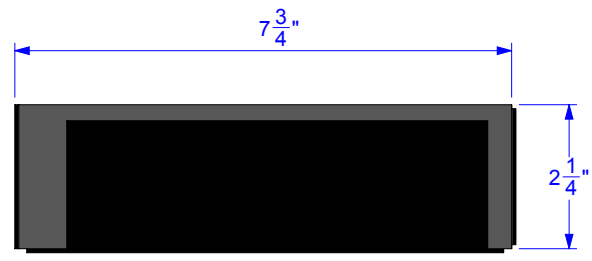
THE INFORMATION CONTAINED IN THIS DRAWING IS THE SOLE & EXCLUSIVE PROPERTY OF PLASTICASE INC.
 ANY REPRODUCTION IN PART OR WHOLE WITHOUT THE WRITTEN PERMISSION OF PLASTICASE INC. IS PROHIBITED.

DO NOT SCALE DRAWING
 SHEET SCALE 1:3

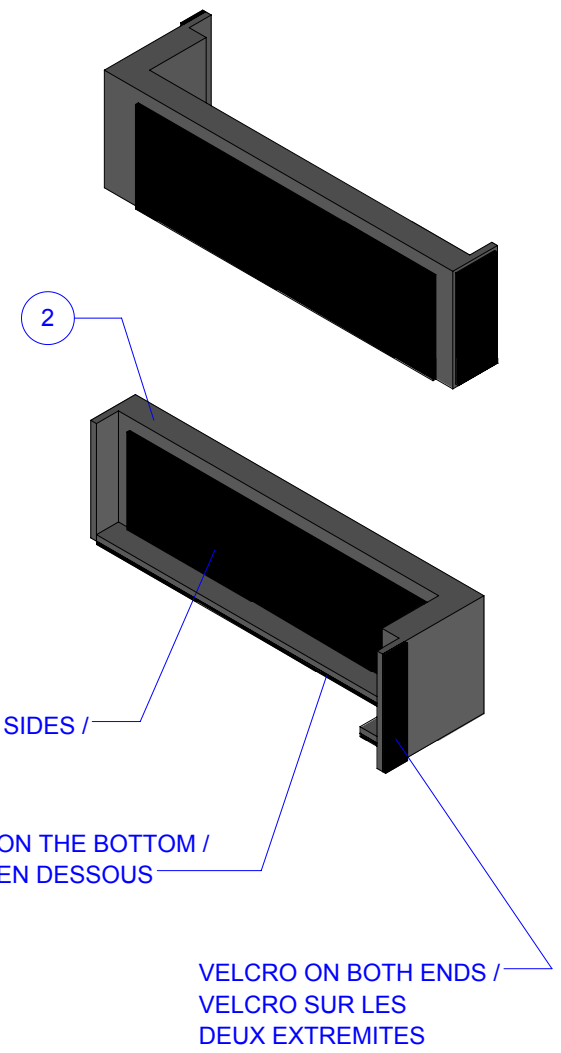
Karen Dupuis
 DESIGNER

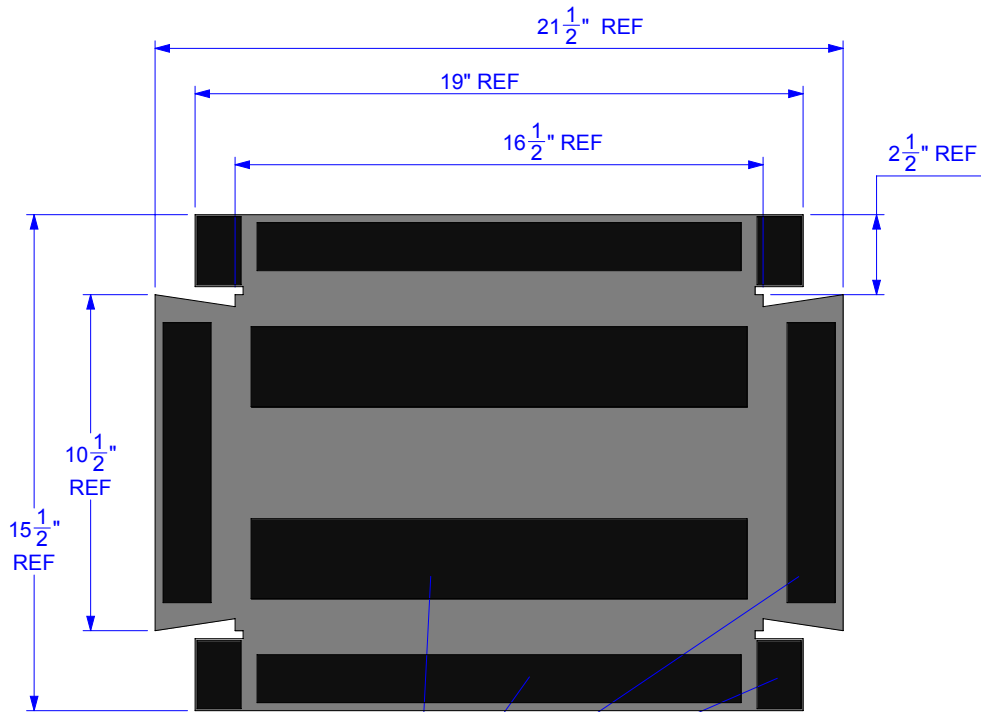
17/04/2017
 DATE

2/7

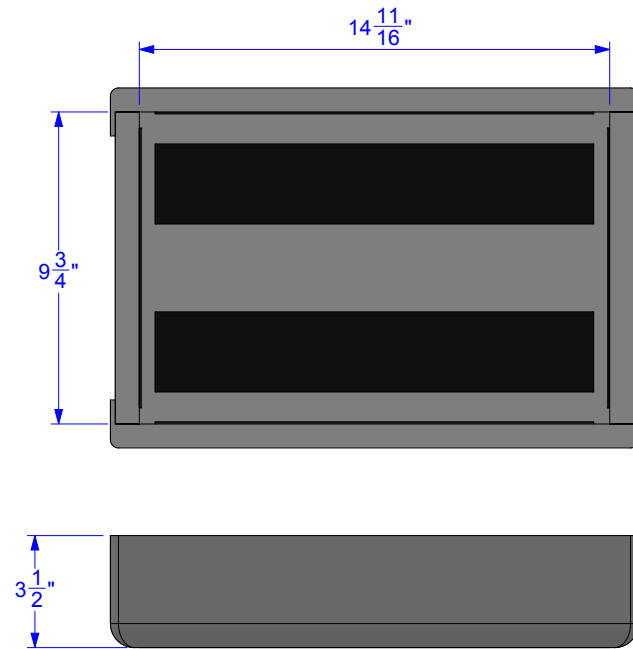
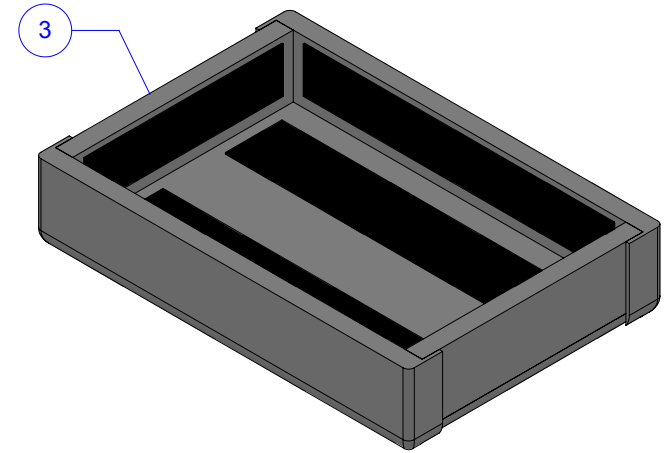


923_PADDED DIVIDER 2.3" X 0.5" X 7.8" DR



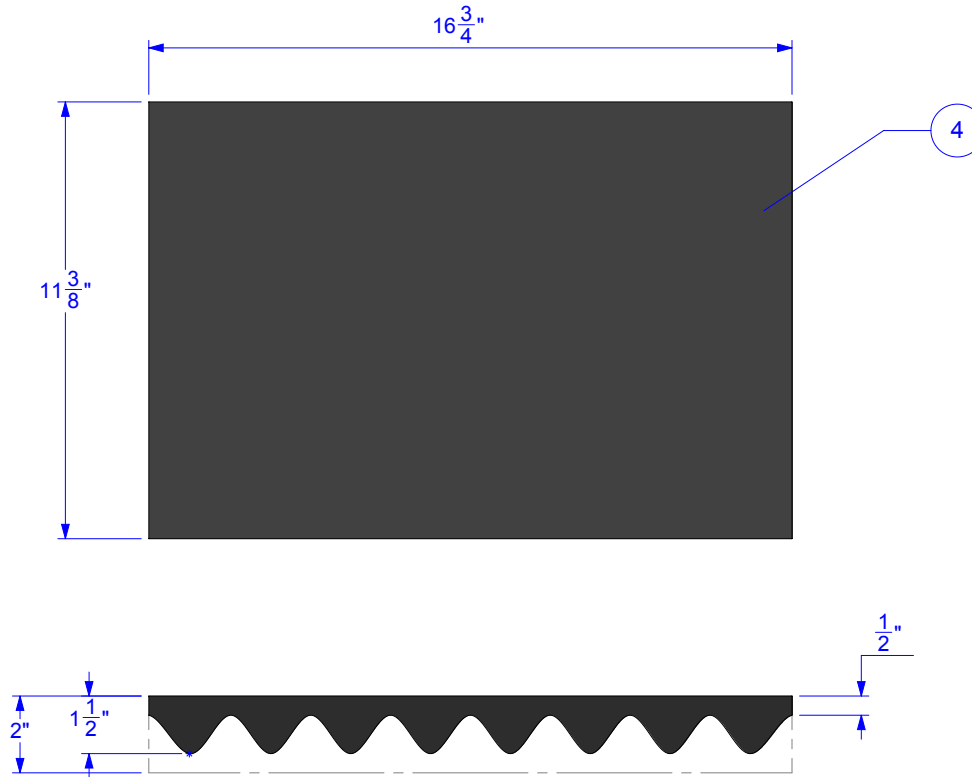


VELCRO



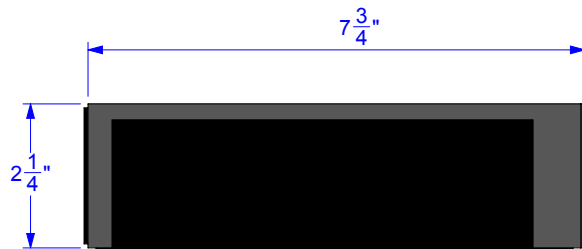
923_PADDED DIVIDER CONTOUR

FOAM DENSITY MAY VARY
 DIMENSIONS ARE IN INCHES UNLESS OTHERWISE SPECIFIED

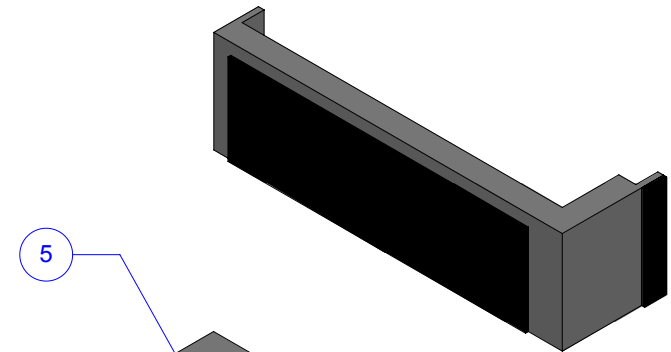


923_CONVOLUTED FOAM

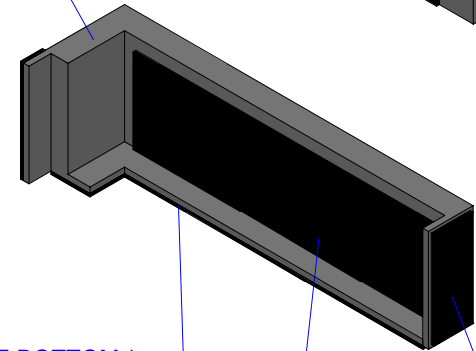
PUF P150-55 BLK 2" THICK 1/2" BASE
MATERIAL



923_PADDED DIVIDER 2.3" X 0.5" X 7.8" GA



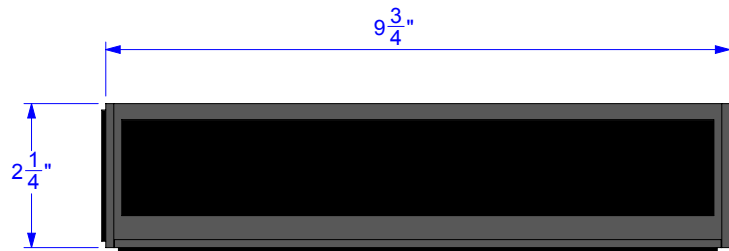
5



VELCRO ON THE BOTTOM /
 VELCRO EN DESSOUS

VELCRO ON BOTH SIDES /
 VELCRO SUR LES
 DEUX COTES

VELCRO ON BOTH ENDS /
 VELCRO SUR LES
 DEUX EXTREMITES



923_PADDED DIVIDER 2.3" X 0.5" X 9.8"

