



1059, boulevard des Entreprises Ouest
 Terrebonne, QC Canada J6Y 1V2
 Tel 450-628-1006 1.800.783.6883
 Fax 450-628-7801 1.888.783.6883
 www.plasticase.com

915 PADDED DIVIDER

PROJECT

915_NANUK

PRODUCT

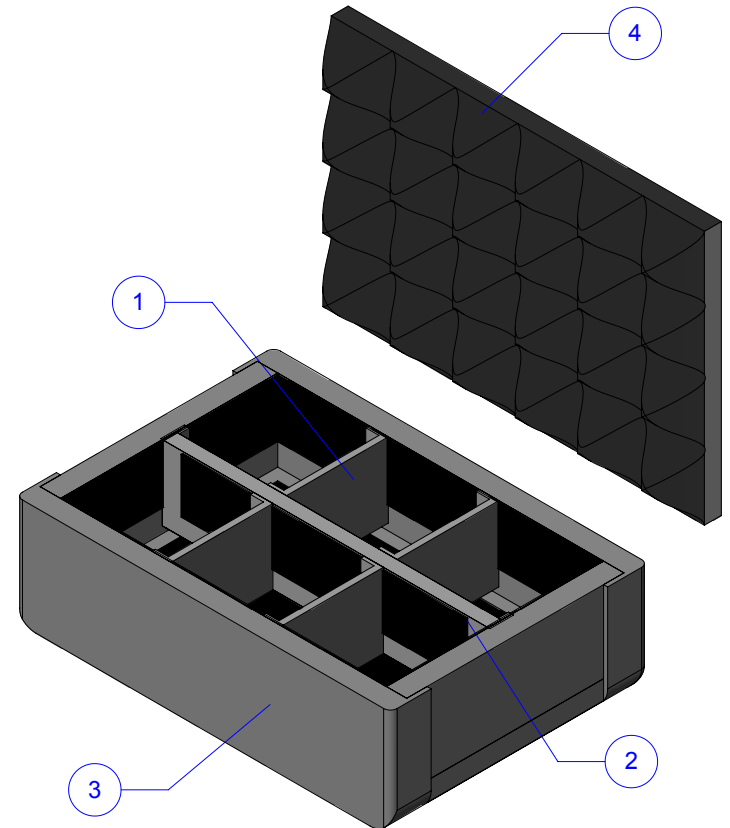
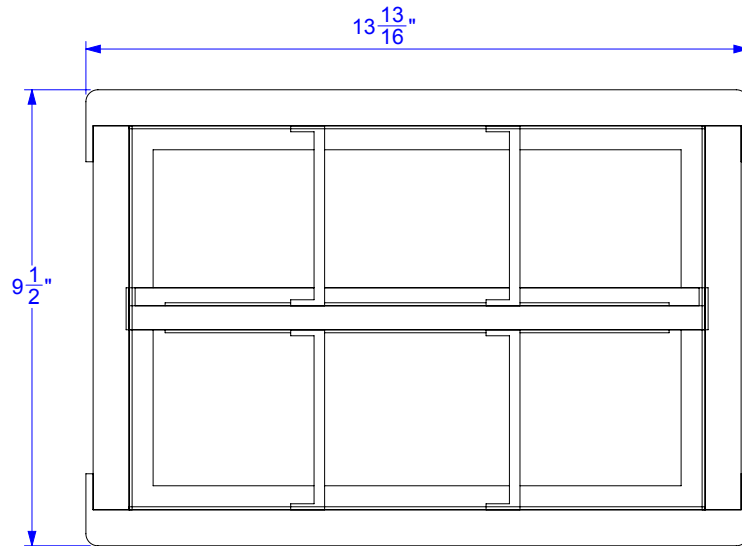
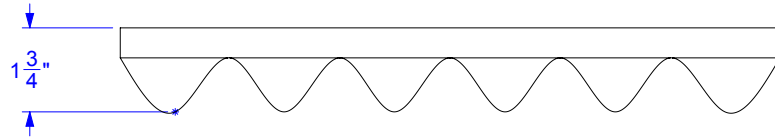
915_PADDED_DIVIDER_a.00

DWG ID

STATUS

| ITEM | DESCRIPTION | QTY. |
|------|---------------------------------------|------|
| 1 | 915_PADDED DIVIDER 2.8" X 0.3" X 3.3" | 4 |
| 2 | 915_PADDED DIVIDER 2.8" X 0.3" X 12" | 1 |
| 3 | 915_PADDED DIVIDER CONTOUR | 1 |
| 4 | 915_CONVOLUTED FOAM | 1 |

CONVOLUTED FOAM



| REV. | DESCRIPTION | DATE | INITIALS |
|-----------|-------------|------|----------|
| REVISIONS | | | |

PROPRIETARY AND CONFIDENTIAL
 THE INFORMATION CONTAINED IN THIS DRAWING IS THE SOLE & EXCLUSIVE PROPERTY OF PLASTICASE INC.
 ANY REPRODUCTION IN PART OR WHOLE WITHOUT THE WRITTEN PERMISSION OF PLASTICASE INC. IS PROHIBITED.

DO NOT SCALE DRAWING
 SHEET SCALE 1:4

Karen Dupuis
 DESIGNER

27/03/2017
 DATE

1/5



1059, boulevard des Entreprises Ouest
 Terrebonne, QC Canada J6Y 1V2
 Tel 450-628-1006 1.800.783.6883
 Fax 450-628-7801 1.888.783.6883
 www.plasticase.com

915_PADDED DIVIDER

PROJECT

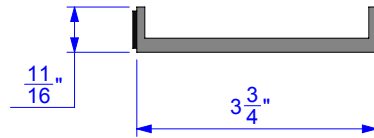
915_NANUK

PRODUCT

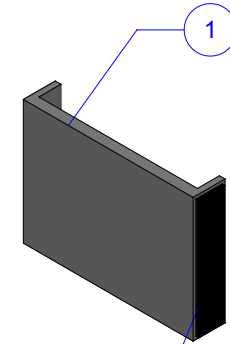
915_PADDED_DIVIDER_a.00

DWG ID

STATUS

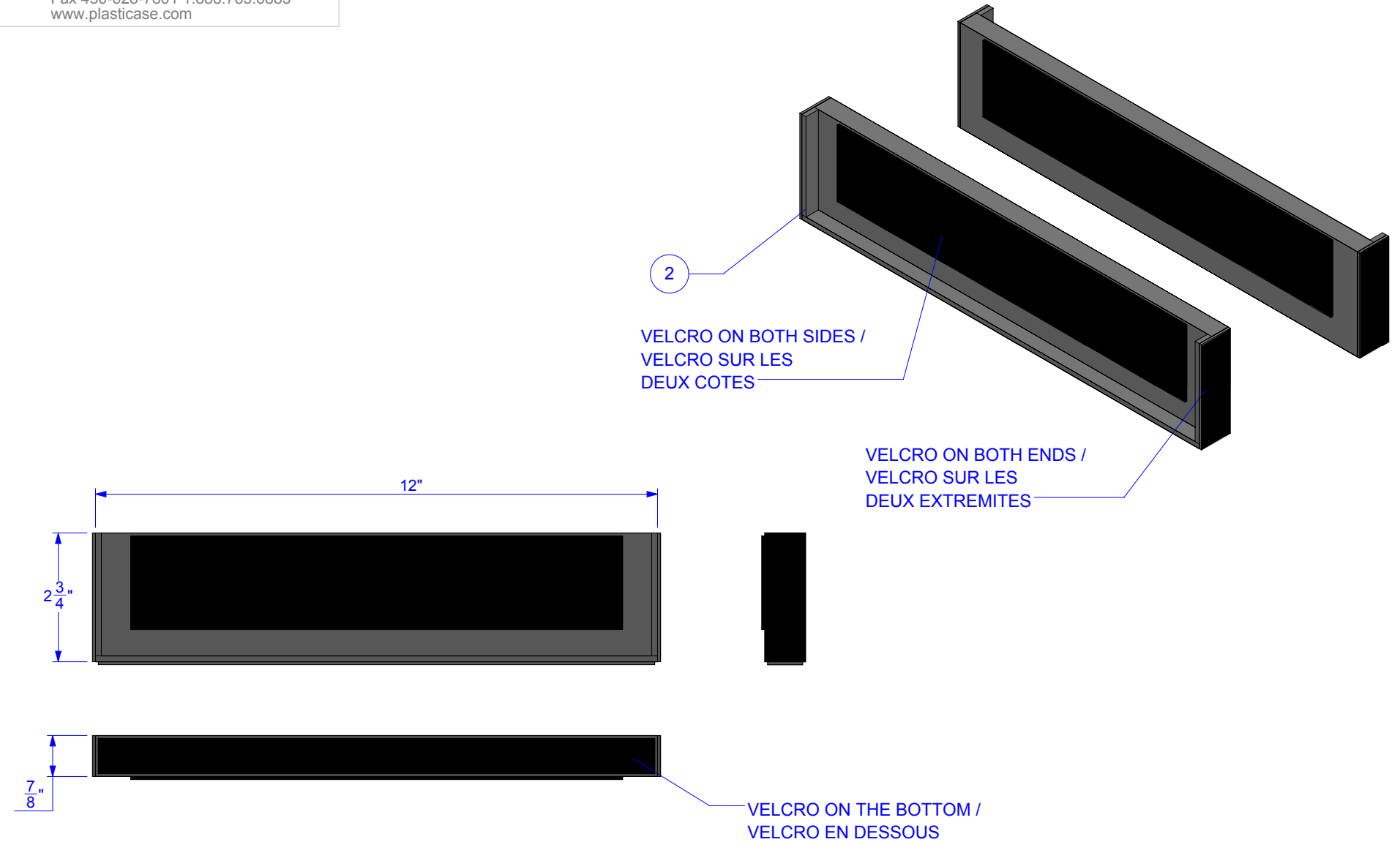


915_PADDED DIVIDER 2.8" X 0.3" X 3.3"

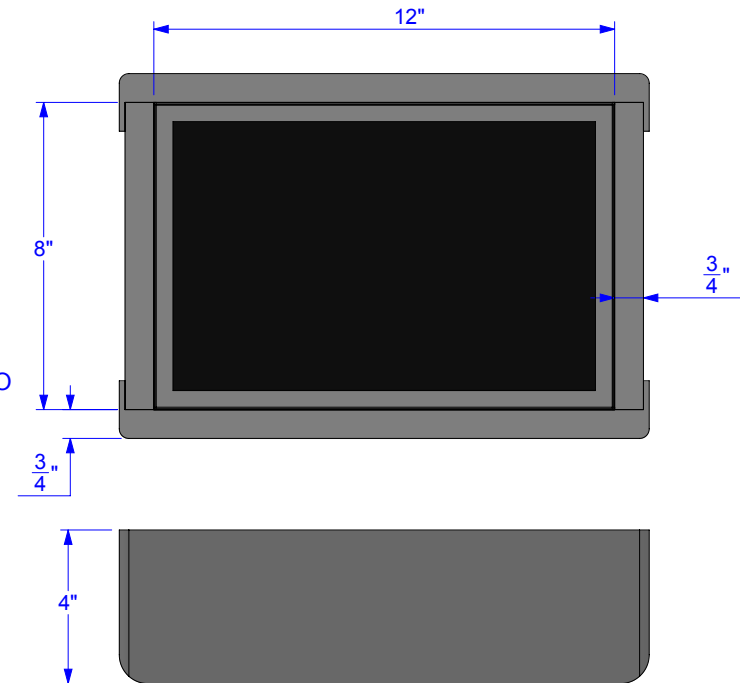
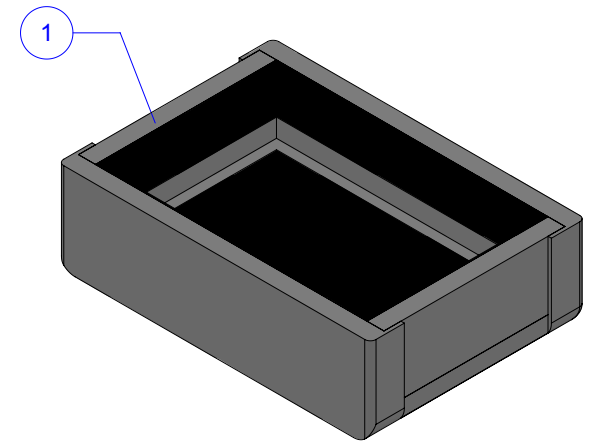
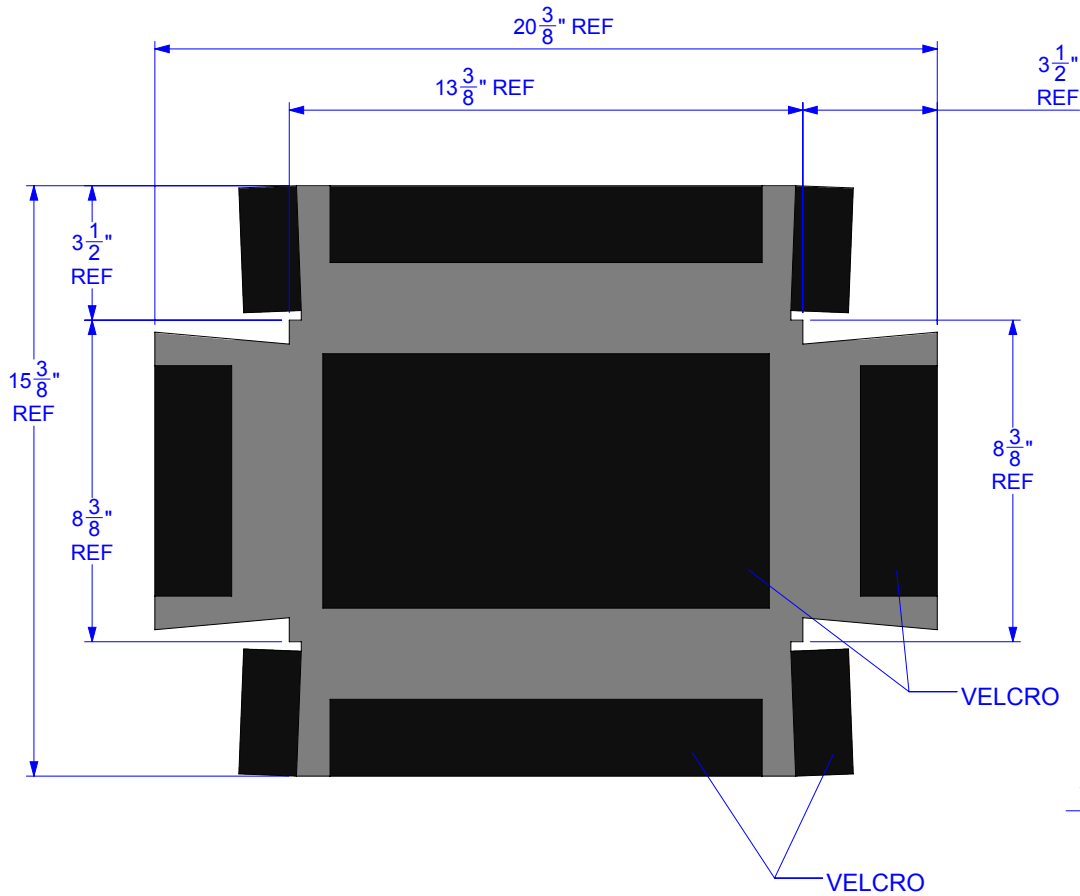


VELCRO ON BOTH ENDS /
 VELCRO SUR LES
 DEUX EXTREMITES

FOAM DENSITY MAY VARY.
 DIMENSIONS ARE IN INCHES UNLESS OTHERWISE SPECIFIED

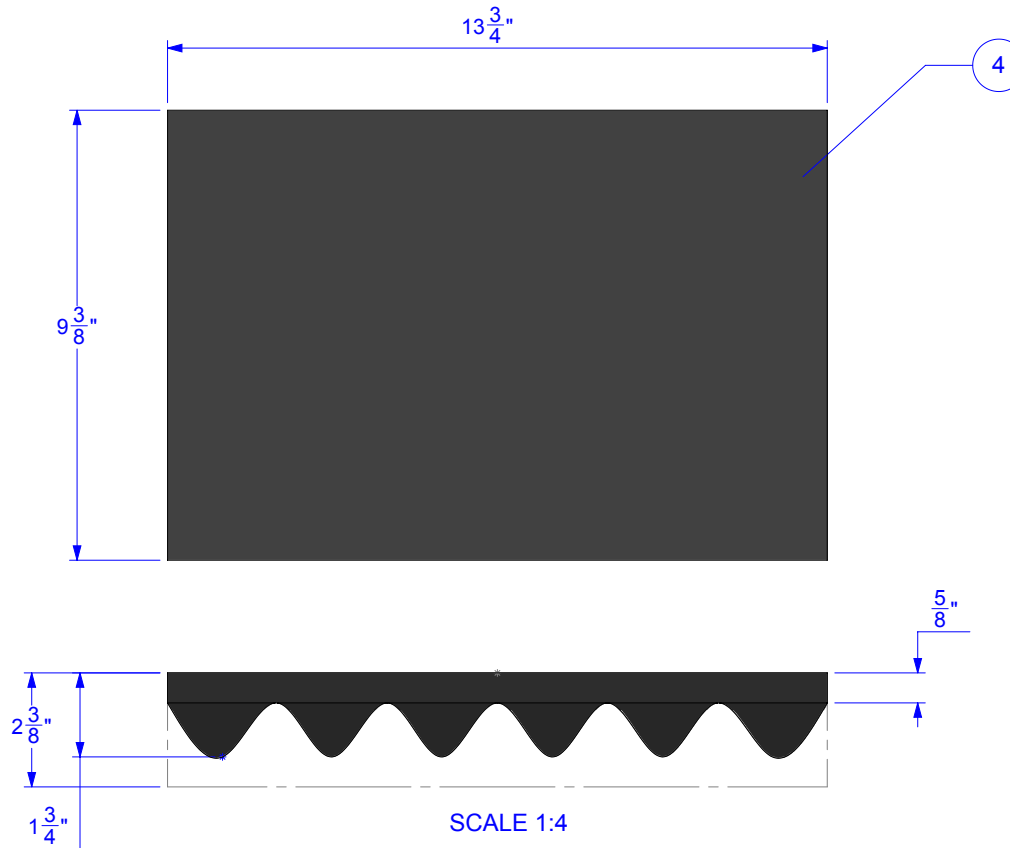


915_PADDED DIVIDER 2.8" X 0.3" X 12"



915_PADDED DIVIDER CONTOUR

FOAM DENSITY MAY VARY
 DIMENSIONS ARE IN INCHES UNLESS OTHERWISE SPECIFIED



PUF P150-55 BLK 2 3/8" THICK 5/8" BASE
 MATERIAL

| | | |
|-----------|--------|-----|
| - | 51" | 1 |
| LINEAR IN | DETAIL | QTY |