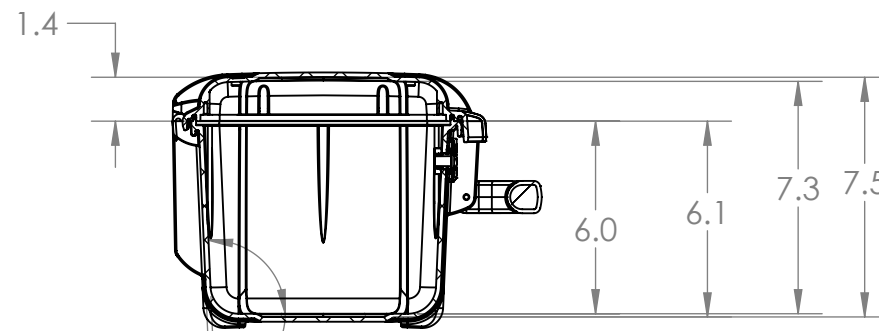
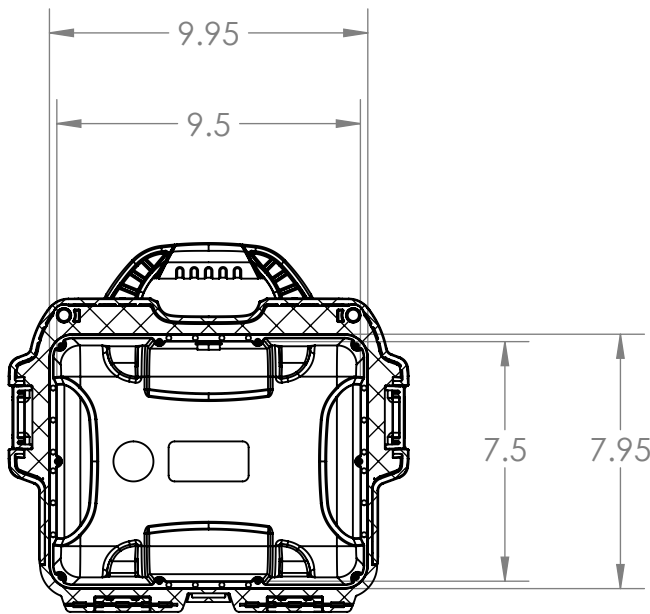
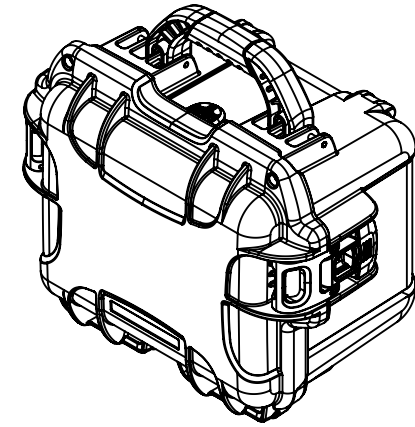
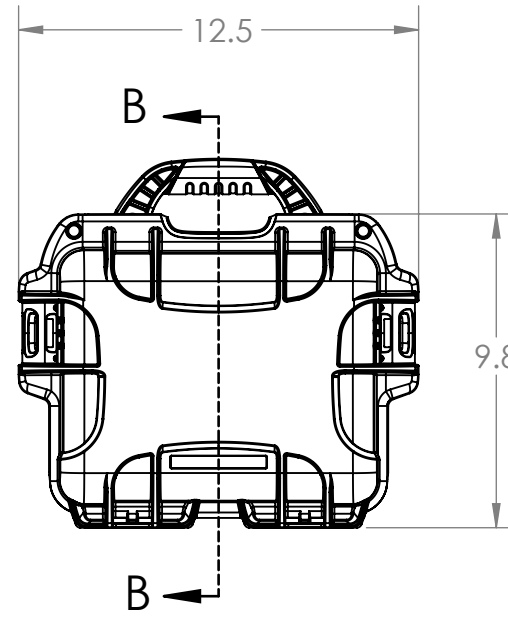
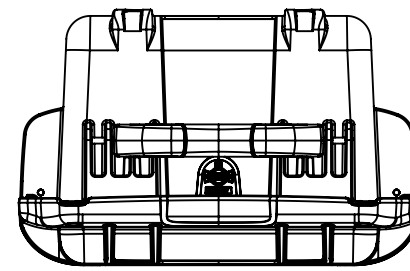
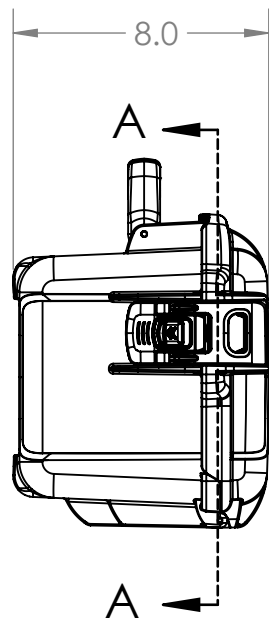
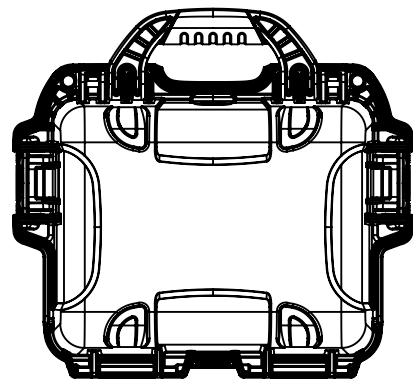


THE INFORMATION CONTAINED IN THIS DRAWING IS THE SOLE PROPERTY OF PLASTICASE ANY REPRODUCTION IN PART OR WHOLE WITHOUT THE WRITTEN PERMISSION OF PLASTICASE IS PROHIBITED.

REVISIONS			
REV.	DESCRIPTION	DATE	APPROVED



.15  
Nominal wall thickness

SECTION A-A

SECTION B-B

### NANUK 908 Specifications

Case Weight Empty	3.2lbs / 1.47kg
Interior Length	9.5" / 241 mm
Interior Width	7.5" / 191 mm
Interior Height	7.5" / 191mm
Interior Lid Depth	1.4" / 36 mm
Interior Base Depth	6.1" / 155 mm
Exterior Length	12.5" / 318 mm
Exterior Width	9.8" / 249 mm
Exterior Height	8.0" / 203 mm
Master Pack Qty.	4
Master Pack Wt.	16.6lbs / 7.5kg
Max Buoyancy	18lbs / 8.2kg

#### PARTS LIST

UNLESS OTHERWISE SPECIFIED DIMENSIONS ARE IN INCHES [mm]	CAD GENERATED DRAWING, DO NOT MANUALLY UPDATE		PLASTICASE
	APPROVALS	DATE	
	DRAWN B.C.	8/2/2017	
	CHECKED		
MATERIAL	RESP ENG		NANUK 908
FINISH --	MFG ENG		
DO NOT SCALE DRAWING	QUAL ENG		
	SIZE B	DWG. NO.	REV.
	SCALE 1:6	CAD FILE: 908_ASSEMBLY	SHEET 1 OF 1